

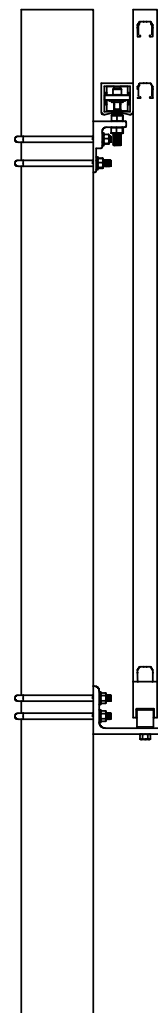
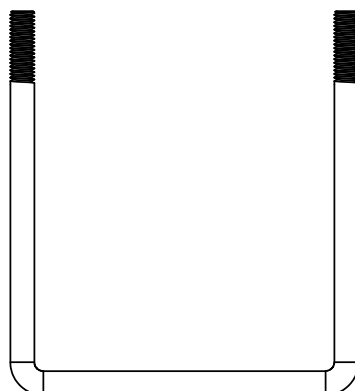


U-BOLT SINGLE CANTILEVER

SINGLE SIDE TRACK LWR INT GUIDE


Installation Kit - Instructions 6"

SKU	COLOR
61123091	BEIGE
61123092	BLACK
61123093	FLORIDA BRONZE
61123094	GREEN
61123095	GRAY
61123096	LIGHT BRONZE
61118992	MATTE BLACK
61111348	MILL
61118993	MATTE BRONZE
61123097	WHITE



ITEM #	PART #				DESCRIPTION	QTY
1	34110410				U-BOLT SINGLE CANTILEVER SINGLE SIDE TRACK LOWER INTERIOR GUIDE 6" -INSTRUCTIONS	1
2	34110400				U-BOLT SINGLE CANTILEVER SINGLE SIDE TRACK LOWER INTERIOR GUIDE 6" -HARDWARE KIT	1
3	61123135				HARDWARE KIT CANTILEVER GATE STOP	1
4	61123010	BG	61123015	LB	U-BOLT SIDE TROLLEY BRACKET 6"	2
	61123011	BK	61119105	MB		
	61123012	BZ	61111354	MF		
	61123013	GR	61119106	MZ		
	61123014	GY	61123016	WH		
5	61123024	BG	61123029	LB	U-BOLT BTM GUIDE BRACKET 6"	2
	61123025	BK	61119109	MB		
	61123026	BZ	61111356	MF		
	61123027	GR	61119110	MZ		
	61123028	GY	61123030	WH		
6	34110853				TROLLEY 4 WHEEL TA-100	2
7	61112927	BG	61112932	LB	T-SLOT RECEIVER POST 6"	1
	61112928	BK	61119101	MB		
	61112929	BZ	61111352	MF		
	61112930	GR	61119102	MZ		
	61112931	GY	61112933	WH		
8	61111173	BG	61111178	LB	T-SLOT RECEIVER GATE	1
	61111174	BK	61119093	MB		
	61111175	BZ	61111179	MF		
	61111176	GR	61119094	MZ		
	61111177	GY	61111180	WH		
9	73022729	BG	61111036	LB	COVER CANTILEVER GATE TRACK	1
	73022730	BK	61119087	MB		
	73022731	BZ	61111037	MF		
	73022732	GR	61119088	MZ		
	61111035	GY	73022733	WH		
10	34110287				1.43" DIA. DERLIN GUIDE WHEEL	2
11	73022816	BG	73023210	GY	SCREW #14X1-1/2 HX HD SDS 410 SS	10
	73022817	BK	73022820	LB		
	73022818	BZ	73022415	MF		
	73022819	GR	73022821	WH		

THE INFORMATION CONTAINED IN THIS DRAWING IS PROTECTED BY COPYRIGHT AND PATENT LAWS OF THE UNITED STATES AND OTHER COUNTRIES. ANY REPRODUCTION IN PART OR AS A WHOLE WITHOUT WRITTEN PERMISSION IS PROHIBITED.

		BARRETTE Outdoor Living	
DRAWN: TC	DATE: 07/27/2017	APPROVED:	
DESCRIPTION: U-BOLT SNGL CNT SNG TRK LGUIDE INSTR 6"			
SHEET 1 OF 9	REVISION:	PART NUMBER	
SCALE:		34110410	
WEIGHT:			

12	73022648	BG	73022652	GY	SCREW #10X1 HX HD SDS 410 SS	4
	73022649	BK	73022653	LB		
	73022650	BZ	73022337	MF		
	73022651	GR	73022655	WH		
13	34110341			GREASE 3 OZ.		1
14	34110444			U-BOLT 1/2"-13x6" SQ ZINC		8
15	34110251			1/2" SPLIT LOCK WASHER ZINC		16
16	34110252			1/2"-13 HEX NUT ZINC		18
17	34110257			5/8" SHOULDER BOLT 1" LONG STEEL		2
18	34110215			NYLON WASHER .08x1.25x.75 ID		2
19	34110256			3/8"-16x3" CARRIAGE BOLT ZINC GRADE A307		2
20	34110107			3/8"-16 HEX NUT ZINC		2
21	34110281			3/8" WASHER ZINC		2
22	34110578			5/8"-11X1-3/4 BOLT HEX HD ZINC GRADE 5		1
23	34110579			5/8"-11 HEX NUT ZINC		1
24	34110580			5/8" FLAT WASHER ZINC		2

NOTE:

- 1.) ITEM #14 TO #21 IS PART OF 34110400 HARDWARE KIT (SEE SHEET 1-ITEM 2)
- 2.) ITEM #22 TO #24 IS PART OF 61123135 HARDWARE KIT (SEE SHEET 1-ITEM 3)
- 3.) FOR MATTE BLACK KITS USE BLACK SCREWS
- 4.) FOR MATTE BRONZE KITS USE LIGHT BRONZE SCREWS

THE INFORMATION CONTAINED IN THIS DRAWING IS PROTECTED BY COPYRIGHT AND PATENT LAWS OF THE UNITED STATES AND OTHER COUNTRIES. ANY REPRODUCTION IN PART OR AS A WHOLE WITHOUT WRITTEN PERMISSION IS PROHIBITED.

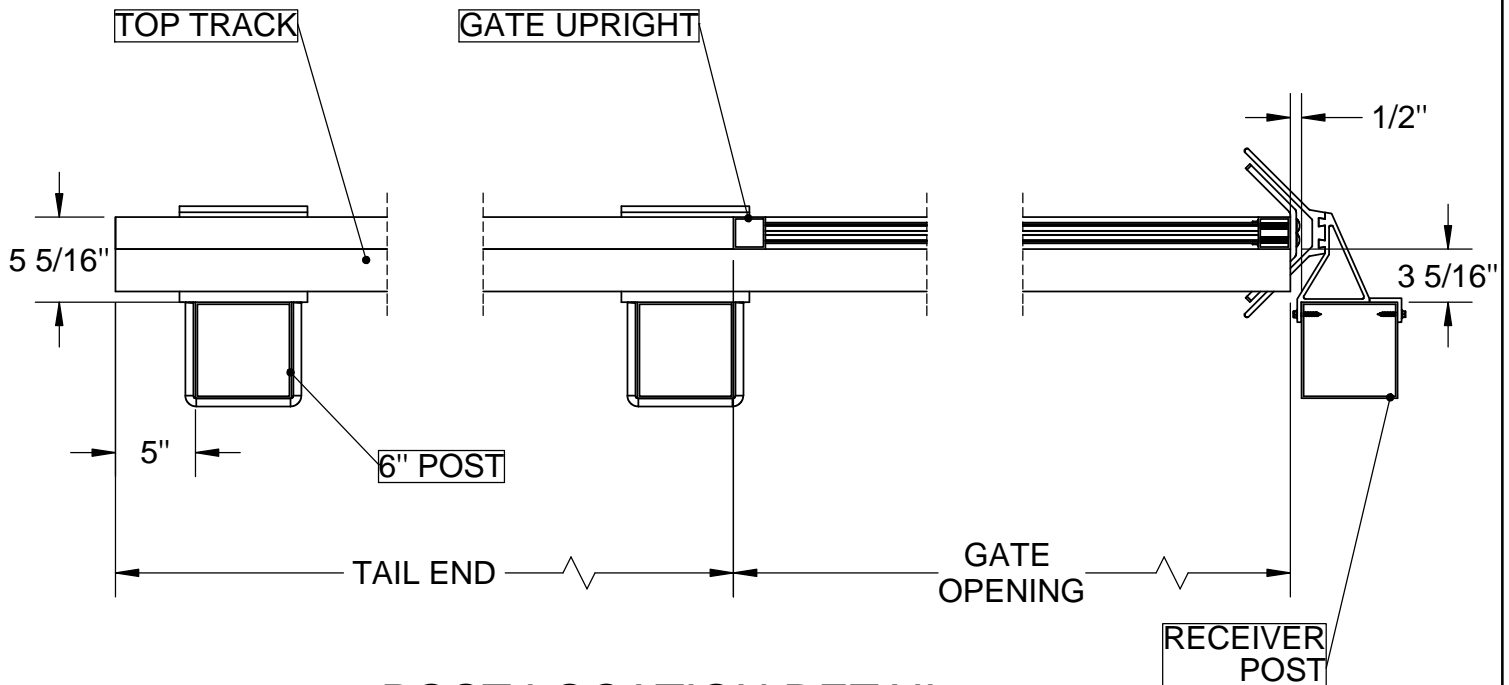
		BARRETTE Outdoor Living	
DRAWN: TC	DATE: 07/27/2017	APPROVED:	
DESCRIPTION: U-BOLT SNGL CNT SNG TRK LGUIDE INSTR 6"			
SHEET 2 OF 9	REVISION:	PART NUMBER	
SCALE:		34110410	
WEIGHT:			

INSTALLATION PROCEDURE:

- 1.SET 6" POSTS IN THE GROUND - SEE POST LOCATION BELOW.
- 2.INSTALL TOP BRACKET (ITEM #4) AND WHEEL TROLLEY (ITEM #6) - SEE SHEET 4
- 3.INSTALL BTM BRACKET (ITEM #5) AND GUIDE WHEEL (ITEM #10) - SEE SHEET 5
- 4.PLACE GATE IN THE POSITION - SLIDE GATE TOP TRACK INTO WHEEL TROLLEY (ITEM #6) AND BTM ROLLER GUIDE ON GUIDE WHEEL (ITEM #10) - SEE SHEET 6
- 5.INSTALL POST RECEIVER (ITEM #7) AND GATE RECEIVER (ITEM #8) - SEE SHEET 7
- 6.INSTALL GATE STOP (BOLT-ITEM #22, NUT- ITEM #23, WASHERS-ITEM # 24) ON THE END OF THE RACK - SEE SHEET 8 (**ONE GATE STOP REQUIRED ONLY - PER LEAF**)
- 7.INSTALL COVER TRACK (ITEM #9) ON THE END OF THE TRACK - SEE SHEET 9

NOTE:

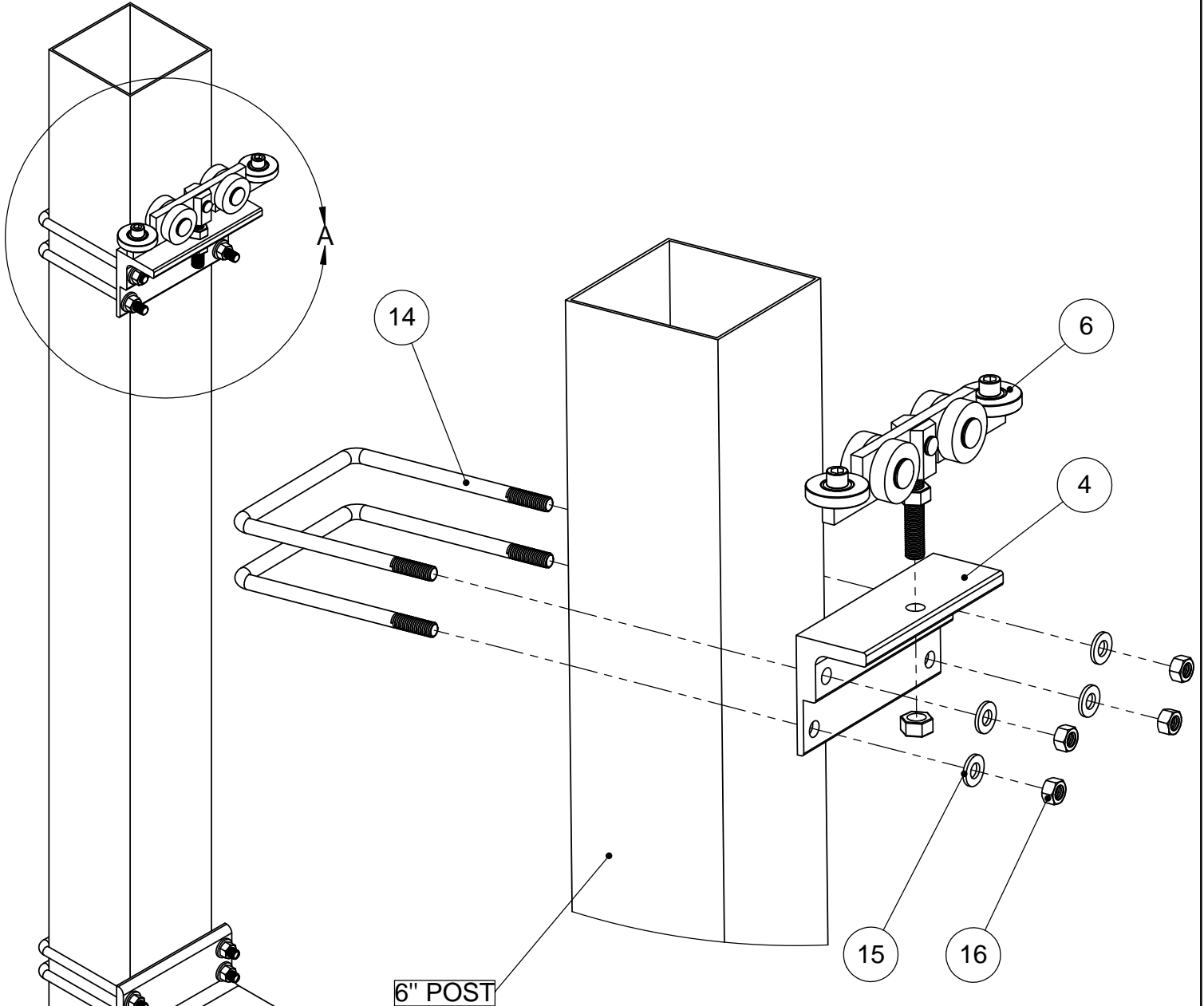
- **APPLY GREASE (ITEM #13) ON THE SHOULDER BOLTS (ITEM #17), INSIDE GUIDE WHEELS (ITEM # 10) AND TOP OF NYLON WASHER (ITEM #18). MAINTAIN GREASE EVERY 4 TO 6 MONTHS.**



**POST LOCATION DETAIL
SCALE 1:12**

Barrette		BARRETTE Outdoor Living	
DRAWN: TC	DATE: 07/27/2017	APPROVED:	
DESCRIPTION: U-BOLT SNGL CNT SNG TRK LGUIDE INSTR 6"			
SHEET 3 OF 9	REVISION	PART NUMBER	
SCALE 1:12	0	34110410	
WEIGHT:			

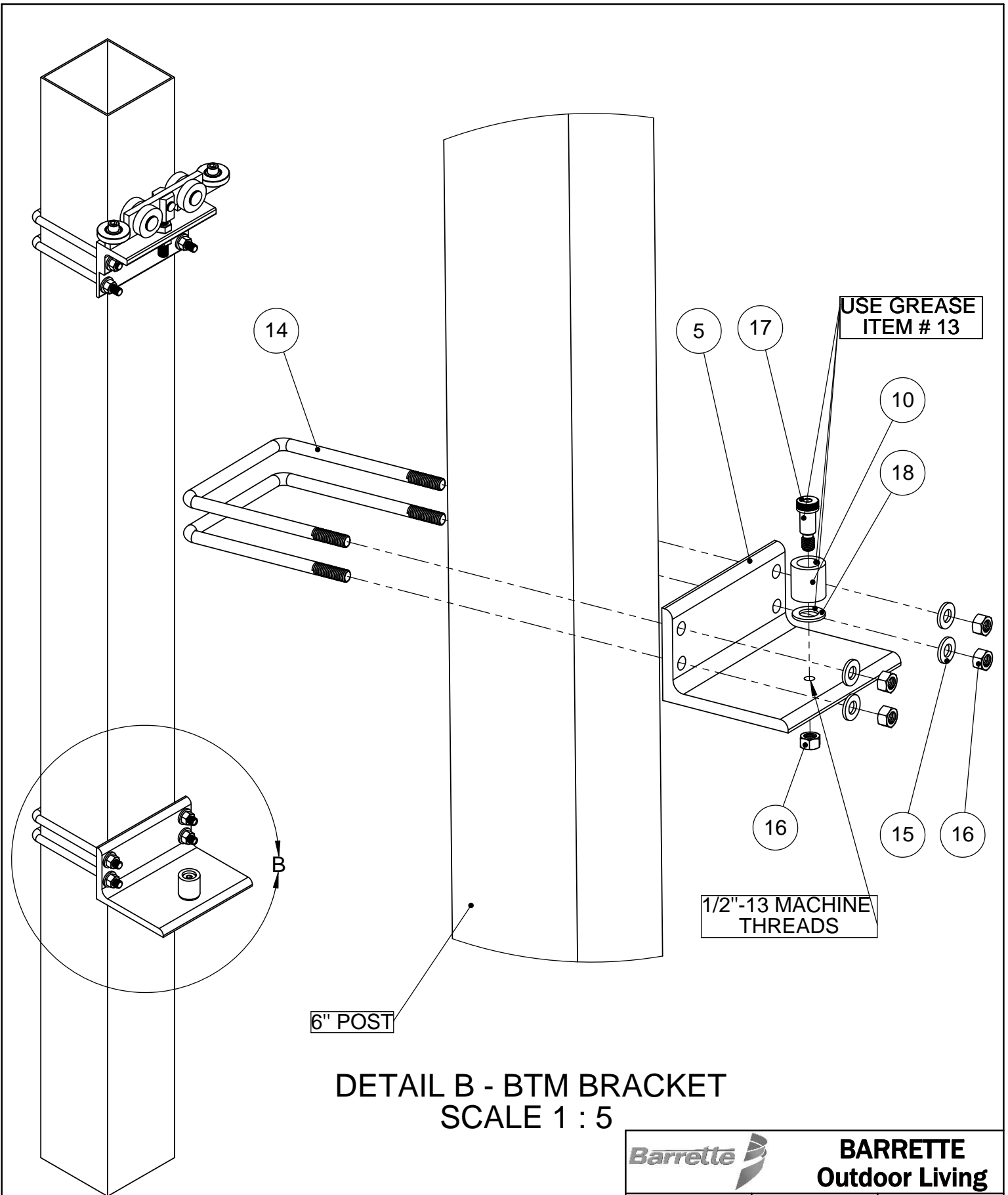
THE INFORMATION CONTAINED IN THIS DRAWING IS PROTECTED BY COPYRIGHT AND PATENT LAWS OF THE UNITED STATES AND OTHER COUNTRIES. ANY REPRODUCTION IN PART OR AS A WHOLE WITHOUT WRITTEN PERMISSION IS PROHIBITED.



DETAIL A - TOP BRACKET
SCALE 1 : 5

THE INFORMATION CONTAINED IN THIS DRAWING IS PROTECTED BY COPYRIGHT AND PATENT LAWS OF THE UNITED STATES AND OTHER COUNTRIES. ANY REPRODUCTION IN PART OR AS A WHOLE WITHOUT WRITTEN PERMISSION IS PROHIBITED.

Barrette		BARRETTE Outdoor Living	
DRAWN: TC	DATE: 07/27/2017	APPROVED:	
DESCRIPTION: U-BOLT SNGL CNT SNG TRK LGUIDE INSTR 6"			
SHEET 4 OF 9	REVISION	PART NUMBER	
SCALE 1:5	0	34110410	
WEIGHT:			

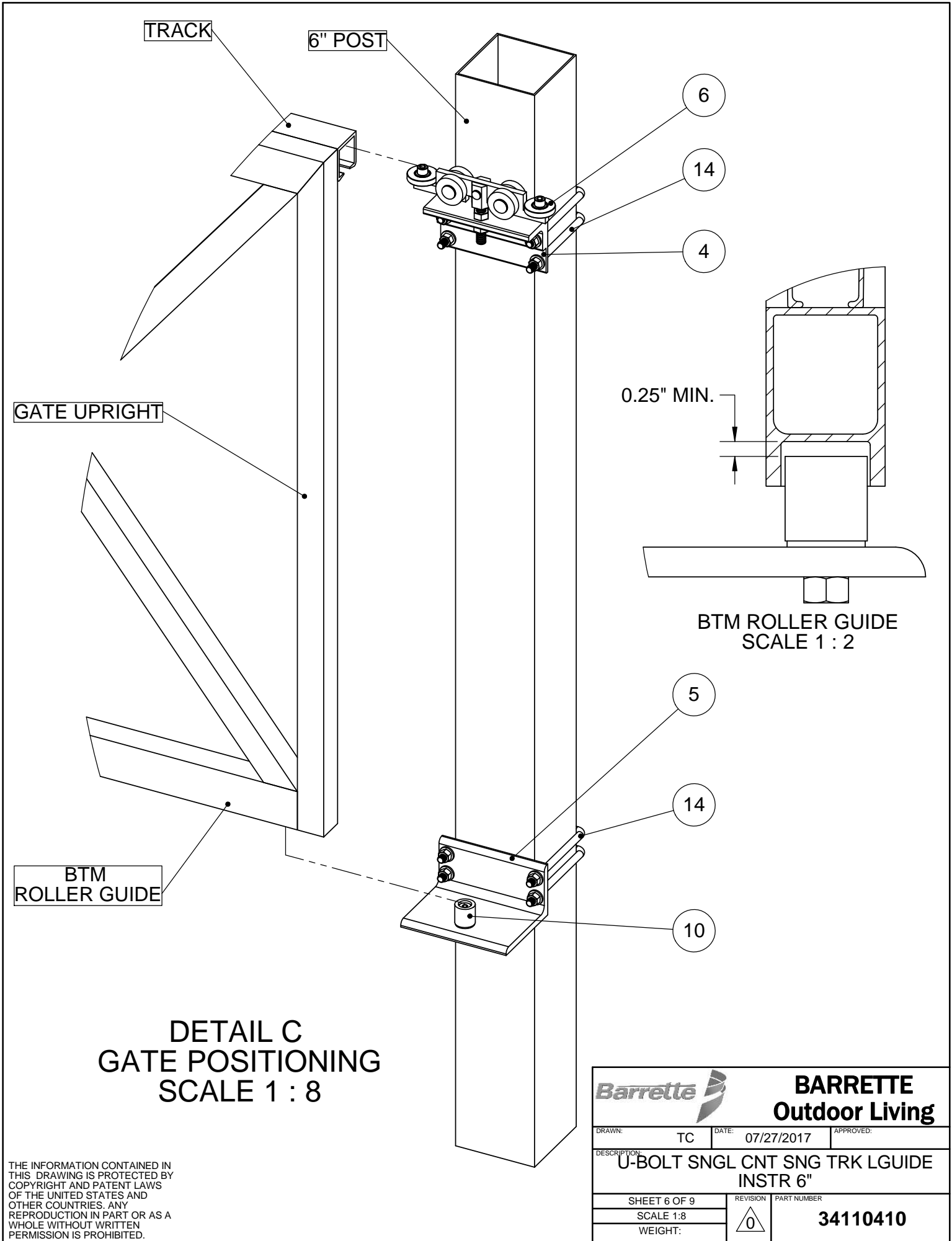


6" POST

DETAIL B - BTM BRACKET
SCALE 1 : 5

THE INFORMATION CONTAINED IN THIS DRAWING IS PROTECTED BY COPYRIGHT AND PATENT LAWS OF THE UNITED STATES AND OTHER COUNTRIES. ANY REPRODUCTION IN PART OR AS A WHOLE WITHOUT WRITTEN PERMISSION IS PROHIBITED.

Barrette		BARRETTE	
		Outdoor Living	
DRAWN: TC	DATE: 07/27/2017	APPROVED:	
DESCRIPTION: U-BOLT SNGL CNT SNG TRK LGUIDE INSTR 6"			
SHEET 5 OF 9	REVISION	PART NUMBER	
SCALE 1:5	0	34110410	
WEIGHT:			



GATE UPRIGHT

BTM ROLLER GUIDE

DETAIL C
GATE POSITIONING
SCALE 1 : 8

0.25" MIN.

BTM ROLLER GUIDE
SCALE 1 : 2

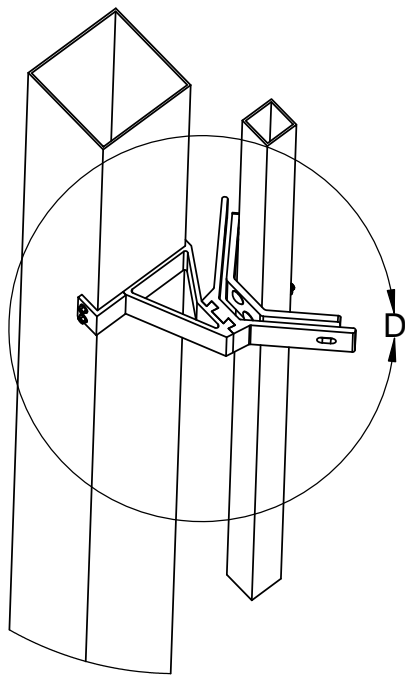
THE INFORMATION CONTAINED IN THIS DRAWING IS PROTECTED BY COPYRIGHT AND PATENT LAWS OF THE UNITED STATES AND OTHER COUNTRIES. ANY REPRODUCTION IN PART OR AS A WHOLE WITHOUT WRITTEN PERMISSION IS PROHIBITED.

Barrette		BARRETTE Outdoor Living	
DRAWN: TC	DATE: 07/27/2017	APPROVED:	
DESCRIPTION: U-BOLT SNGL CNT SNG TRK LGUIDE INSTR 6"			
SHEET 6 OF 9	REVISION	PART NUMBER	
SCALE 1:8	0	34110410	
WEIGHT:			

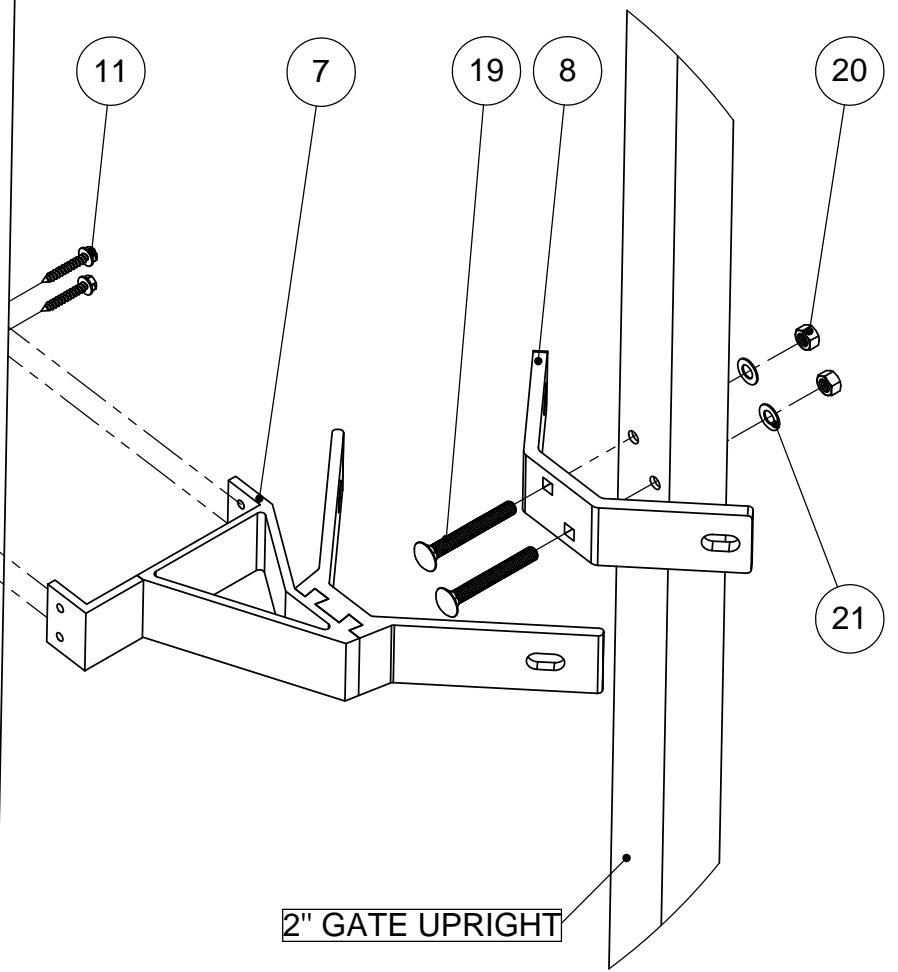
6" RECEIVER POST

2" GATE UPRIGHT

DETAIL D - RECEIVER
SCALE 1 : 5

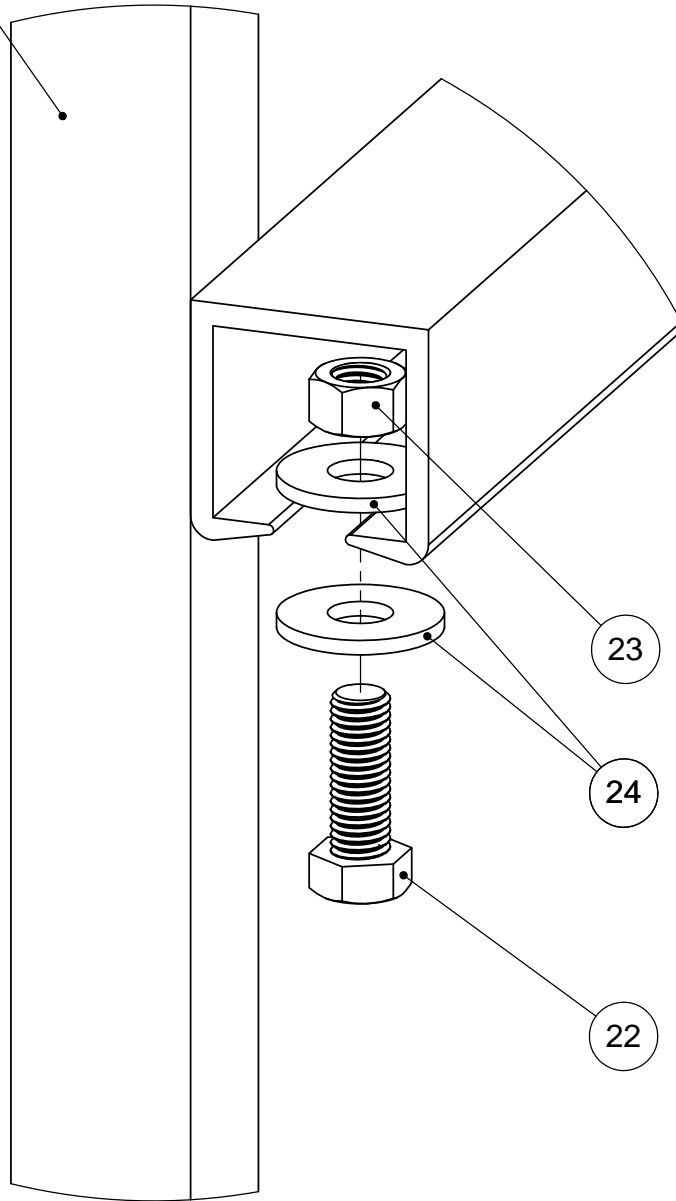


THE INFORMATION CONTAINED IN THIS DRAWING IS PROTECTED BY COPYRIGHT AND PATENT LAWS OF THE UNITED STATES AND OTHER COUNTRIES. ANY REPRODUCTION IN PART OR AS A WHOLE WITHOUT WRITTEN PERMISSION IS PROHIBITED.



Barrette		BARRETTE Outdoor Living	
DRAWN: TC	DATE: 07/27/2017	APPROVED:	
DESCRIPTION: U-BOLT SNGL CNT SNG TRK LGUIDE INSTR 6"			
SHEET 7 OF 9	REVISION	PART NUMBER	
SCALE 1:5	0	34110410	
WEIGHT:			

2" GATE UPRIGHT



DETAIL E - GATE STOP
SCALE 1 : 2

THE INFORMATION CONTAINED IN THIS DRAWING IS PROTECTED BY COPYRIGHT AND PATENT LAWS OF THE UNITED STATES AND OTHER COUNTRIES. ANY REPRODUCTION IN PART OR AS A WHOLE WITHOUT WRITTEN PERMISSION IS PROHIBITED.

Barrette		BARRETTE Outdoor Living	
DRAWN: TC	DATE: 07/27/2017	APPROVED:	
DESCRIPTION: U-BOLT SNGL CNT SNG TRK LGUIDE INSTR 6"			
SHEET 8 OF 9	REVISION	PART NUMBER	
SCALE 1:2	0	34110410	
WEIGHT:			

2" GATE UPRIGHT

12

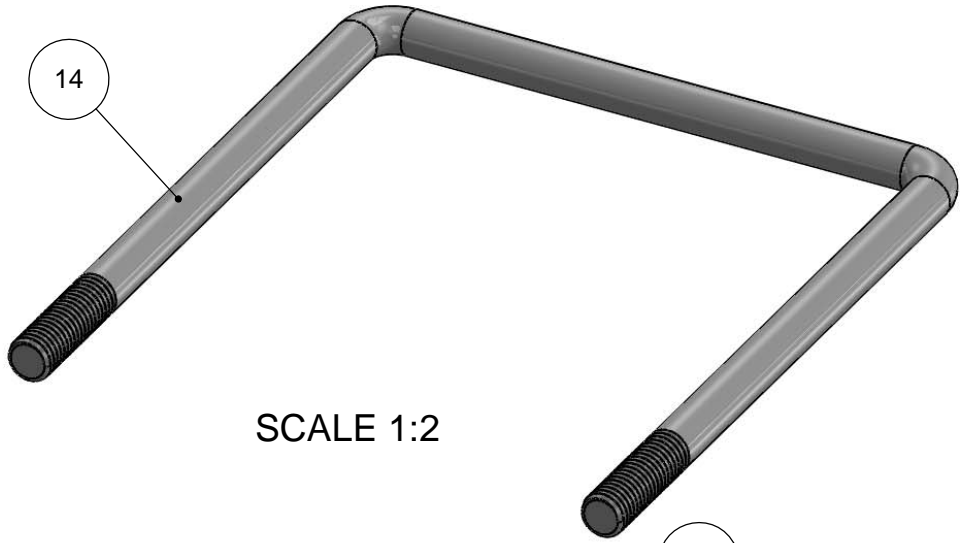
9

TRACK

DETAIL F - COVER TRACK
SCALE 1 : 2

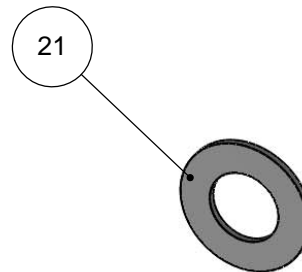
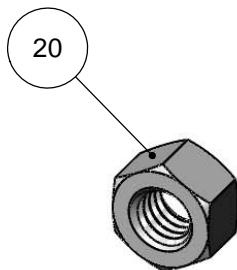
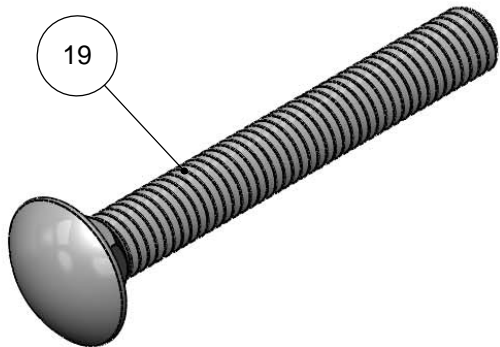
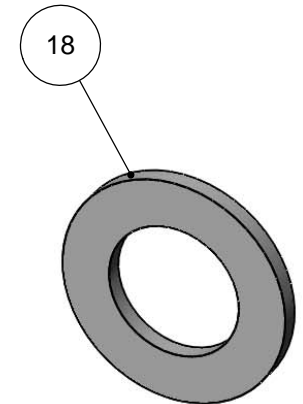
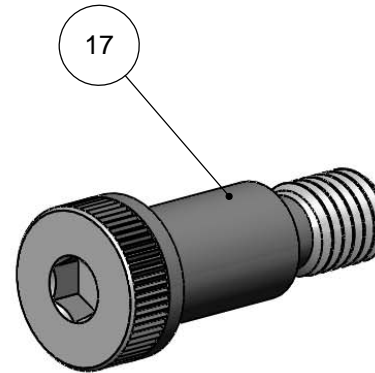
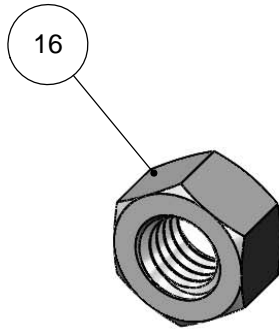
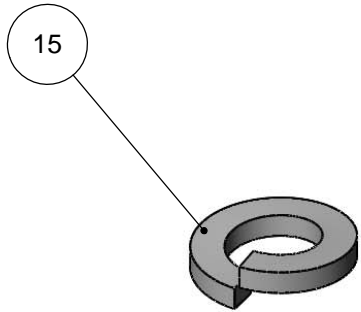
Barrette		BARRETTE Outdoor Living	
DRAWN: TC	DATE: 07/27/2017	APPROVED:	
DESCRIPTION: U-BOLT SNGL CNT SNG TRK LGUIDE INSTR 6"			
SHEET 9 OF 9	REVISION	PART NUMBER	
SCALE 1:2	0	34110410	
WEIGHT:			

THE INFORMATION CONTAINED IN THIS DRAWING IS PROTECTED BY COPYRIGHT AND PATENT LAWS OF THE UNITED STATES AND OTHER COUNTRIES. ANY REPRODUCTION IN PART OR AS A WHOLE WITHOUT WRITTEN PERMISSION IS PROHIBITED.



SCALE 1:2

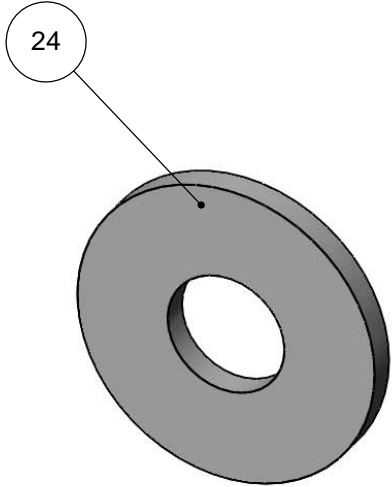
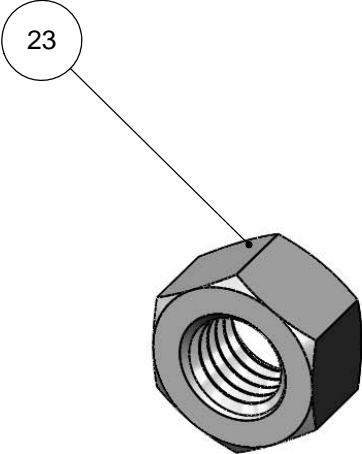
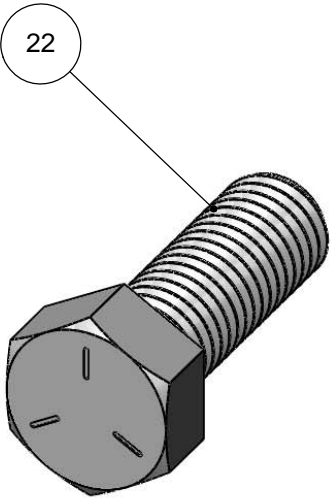
ITEM #	PART #	DESCRIPTION	QTY
14	34110444	U-BOLT 1/2"-13x6" SQ ZINC	8
15	34110251	1/2" SPLIT LOCK WASHER ZINC	16
16	34110252	1/2"-13 HEX NUT ZINC	18
17	34110257	5/8" SHOULDER BOLT 1" LONG STEEL	2
18	34110215	NYLON WASHER .08x1.25x.75 ID	2
19	34110256	3/8"-16x3" CARRIAGE BOLT ZINC GRADE A307	2
20	34110255	3/8"-16 HEX NUT ZINC	2
21	34110281	3/8" WASHER ZINC	2



THE INFORMATION CONTAINED IN THIS DRAWING IS PROTECTED BY COPYRIGHT AND PATENT LAWS OF THE UNITED STATES AND OTHER COUNTRIES. ANY REPRODUCTION IN PART OR AS A WHOLE WITHOUT WRITTEN PERMISSION IS PROHIBITED.

		BARRETTE Outdoor Living
DRAWN: TC	DATE: 7/27/2017	APPROVED:
DESCRIPTION: U-BOLT SNGL CNT SNGTRK LGUIDE HRDW KIT6"		
SHEET 1 OF 1	REVISION	PART NUMBER
SCALE 1:1	0	34110400
WEIGHT:		

ITEM #	PART #	DESCRIPTION	QTY
22	34110578	5/8"-11X1-3/4 BOLT HEX HD ZINC GRADE 5	1
23	34110579	5/8"-11 HEX NUT ZINC	1
24	34110580	5/8" FLAT WASHER ZINC	2



THE INFORMATION CONTAINED IN THIS DRAWING IS PROTECTED BY COPYRIGHT AND PATENT LAWS OF THE UNITED STATES AND OTHER COUNTRIES. ANY REPRODUCTION IN PART OR AS A WHOLE WITHOUT WRITTEN PERMISSION IS PROHIBITED.

		BARRETTE Outdoor Living	
DRAWN: TC	DATE: 07/24/2017	APPROVED:	
DESCRIPTION: HARDWARE KIT CANTILEVER GATE STOP			
SHEET 1 OF 1	REVISION	PART NUMBER	
SCALE 1:1		61123135	
WEIGHT:			