

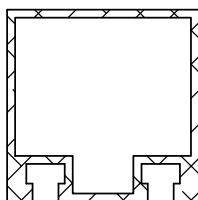
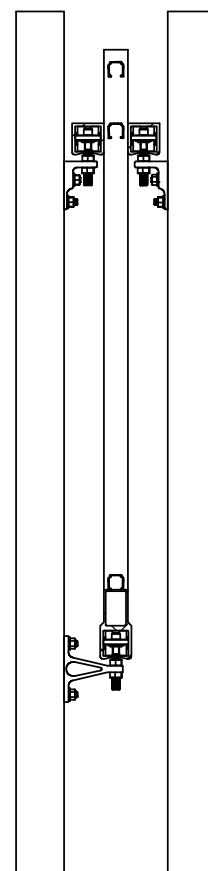


T-SLOT SINGLE CANTILEVER

DOUBLE SIDE • BOTTOM TRACK



Installation Kit - Instructions

SKU	COLOR
61111267	BEIGE
61111297	BLACK
61111268	FLORIDA BRONZE
61111150	GREEN
61111151	GRAY
61111152	LIGHT BRONZE
61118948	MATTE BLACK
61111266	MILL
61118949	MATTE BRONZE
61111153	WHITE



ITEM #	PART #				DESCRIPTION	QTY
1	34110345				T-SLOT SNGL CANTILEVER DBL SIDE BTM TRACK INSTRUCTIONS	1
2	61111225				T-SLOT SNGL CANTILEVER DBL SIDE BTM TRACK HARDWARE KIT	1
3	61123135				HARDWARE KIT CANTILEVER GATE STOP	1
4	61111213	BG	61111218	LB	T-SLOT SIDE TROLLEY BRACKET	4
	61111214	BK	61118426	MB		
	61111215	BZ	61111219	MF		
	61111216	GR	61118427	MZ		
	61111217	GY	61111220	WH		
5	61111197	BG	61111202	LB	T-SLOT BTM TROLLEY BRACKET	2
	61111198	BK	61119097	MB		
	61111199	BZ	61111203	MF		
	61111200	GR	61119098	MZ		
	61111201	GY	61111204	WH		
6	34110853				TROLLEY 4 WHEEL TA-100	6
7	61111181	BG	61111186	LB	T-SLOT RECEIVER POST 4"	1
	61111182	BK	61118428	MB		
	61111183	BZ	61111187	MF		
	61111184	GR	61118429	MZ		
	61111185	GY	61111188	WH		
8	61111173	BG	61111178	LB	T-SLOT RECEIVER GATE	1
	61111174	BK	61119093	MB		
	61111175	BZ	61111179	MF		
	61111176	GR	61119094	MZ		
	61111177	GY	61111180	WH		
9	73022729	BG	61111036	LB	COVER CANTILEVER GATE TRACK	2
	73022730	BK	61119087	MB		
	73022731	BZ	61111037	MF		
	73022732	GR	61119088	MZ		
	61111035	GY	73022733	WH		
10	61111038	BG	61111043	LB	T-SLOT BTM END COVER	1
	61111039	BK	61119089	MB		
	61111040	BZ	61111044	MF		
	61111041	GR	61119090	MZ		
	61111042	GY	61111045	WH		

THE INFORMATION CONTAINED IN THIS DRAWING IS PROTECTED BY COPYRIGHT AND PATENT LAWS OF THE UNITED STATES AND OTHER COUNTRIES. ANY REPRODUCTION IN PART OR AS A WHOLE WITHOUT WRITTEN PERMISSION IS PROHIBITED.



		BARRETTE Outdoor Living	
DRAWN: J.S.	DATE: 7-14-17	APPROVED:	
DESCRIPTION: T-SLOT SNGL CANTILEVER DBL SIDE BTM TRACK INSTRUCTIONS			
SHEET 1 OF 10	REVISION:	PART NUMBER	
SCALE:		34110345	
WEIGHT:			

ITEM #	PART #				DESCRIPTION	QTY
11	73022816	BG	73026018	GY	SCREW #14x1-1/2" HX HD SDS 410 SS	10
	73022817	BK	73022820	LB		
	73022818	BZ	73022415	MF		
	73022819	GR	73022821	WH		
12	73022648	BG	73022652	GY	SCREW #10x1 HX HD SDS 410 SS	4
	73022649	BK	73022653	LB		
	73022650	BZ	73022337	MF		
	73022651	GR	73022655	WH		
13	34110341				GREASE 3OZ.	1
14	34110253				1/2"-13x1 1/2" SQ HD BOLT ZINC GRADE 5	16
15	34110254				1/2"-13x1 3/4" SQ HD BOLT ZINC GRADE 5	8
16	34110251				1/2" SPLIT LOCK WASHER ZINC	24
17	34110252				1/2"-13 HEX NUT ZINC	24
18	34110256				3/8"-16x3" CARRIAGE BOLT ZINC GRADE A307	2
19	34110107				3/8"-16 HEX NUT ZINC	2
20	34110281				3/8" WASHER ZINC	2
21	34110578				5/8"-11X1-3/4 BOLT HEX HD ZINC GRADE 5	1
22	34110579				5/8-11 HEX NUT ZINC	1
23	34110580				5/8" FLAT WASHER ZINC	2

NOTE:

- 1.) ITEM #14 TO #20 IS PART OF 61111225 HARDWARE KIT (SEE SHEET 1 - ITEM 2)
- 2.) ITEM #21 TO #23 IS PART OF 61123135 HARDWARE KIT (SEE SHEET 1 - ITEM 3)
- 3.) FOR MATTE BLACK KITS USE BLACK SCREWS
- 4.) FOR MATTE BRONZE KITS USE LIGHT BRONZE SCREWS

THE INFORMATION CONTAINED IN THIS DRAWING IS PROTECTED BY COPYRIGHT AND PATENT LAWS OF THE UNITED STATES AND OTHER COUNTRIES. ANY REPRODUCTION IN PART OR AS A WHOLE WITHOUT WRITTEN PERMISSION IS PROHIBITED.

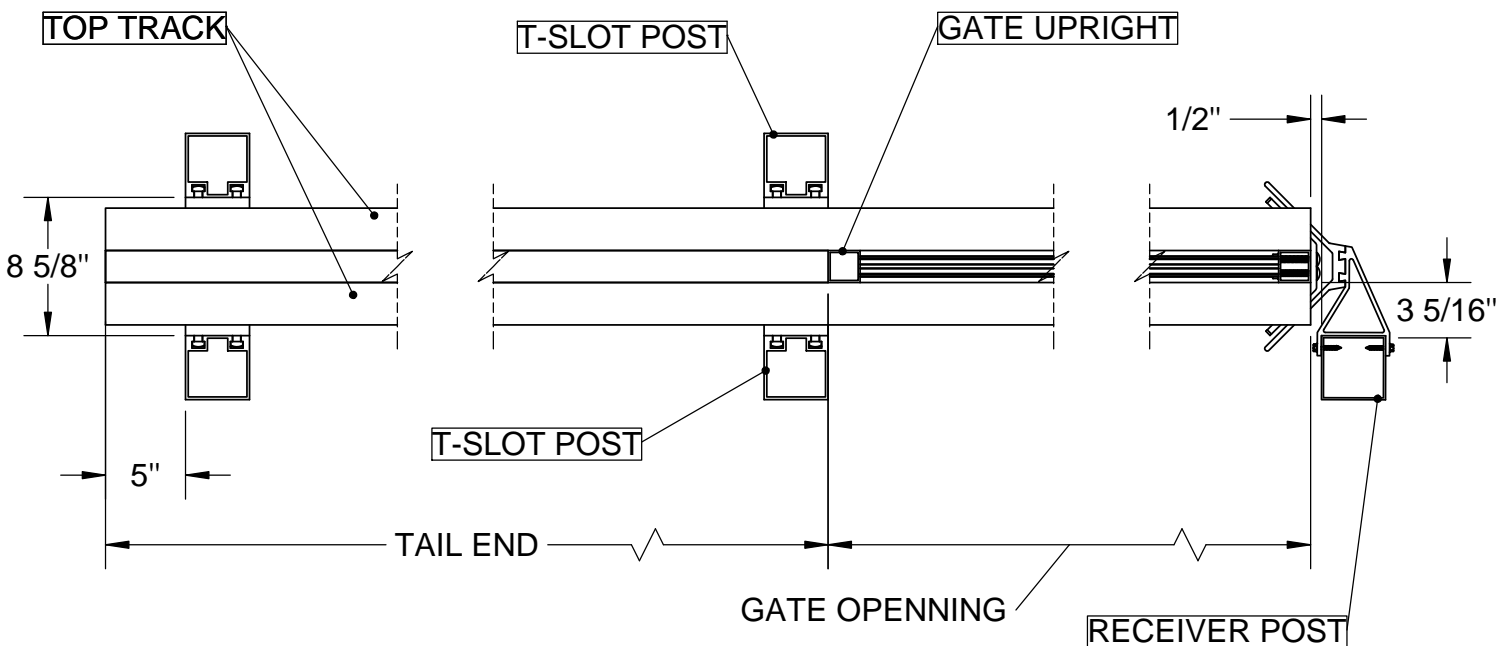
		BARRETTE Outdoor Living	
DRAWN: J.S.	DATE: 7-14-17	APPROVED:	
DESCRIPTION: T-SLOT SNGL CANTILEVER DBL SIDE BTM TRACK INSTRUCTIONS			
SHEET 2 OF 10	REVISION: 	PART NUMBER: 34110345	
SCALE:	WEIGHT:		

INSTALLATION PROCEDURE:

1. SET T-SLOT POSTS IN THE GROUND - SEE POST LOCATION DETAIL BELOW.
2. INSTALL BTM BRACKETS (ITEM #5) AND WHEEL TROLLEYS (ITEM #6) ON TWO POST ONLY - SEE SHEET 4
3. INSTALL TOP BRACKETS (ITEM #4) ON ALL POSTS - SEE SHEET 5
4. PLACE GATE IN THE POSITION - SLIDE GATE BTM TRACK INTO WHEEL TROLLEY (ITEM #6) AND TOP TRACKS INTO WHEEL TROLLEYS (ITEM #6) - SEE SHEET 6
5. INSTALL RECEIVER POST (ITEM #7) AND RECEIVER GATE (ITEM #8) - SEE SHEET 7
6. INSTALL GATE STOP (BOLT- ITEM #21,NUT- ITEM #22, WASHER- ITEM #23) ON THE END OF THE TRACK - SEE SHEET 8 (**ONE GATE STOP REQUIRED ONLY - PER LEAF**)
7. INSTALL COVER TRACK (ITEM #9) ON THE END OF THE TOP TRACKS - SEE SHEET 9
8. INSTALL BTM END COVER (ITEM #10) ON THE END OF THE BTM TRACK - SEE SHEET 10

NOTE:

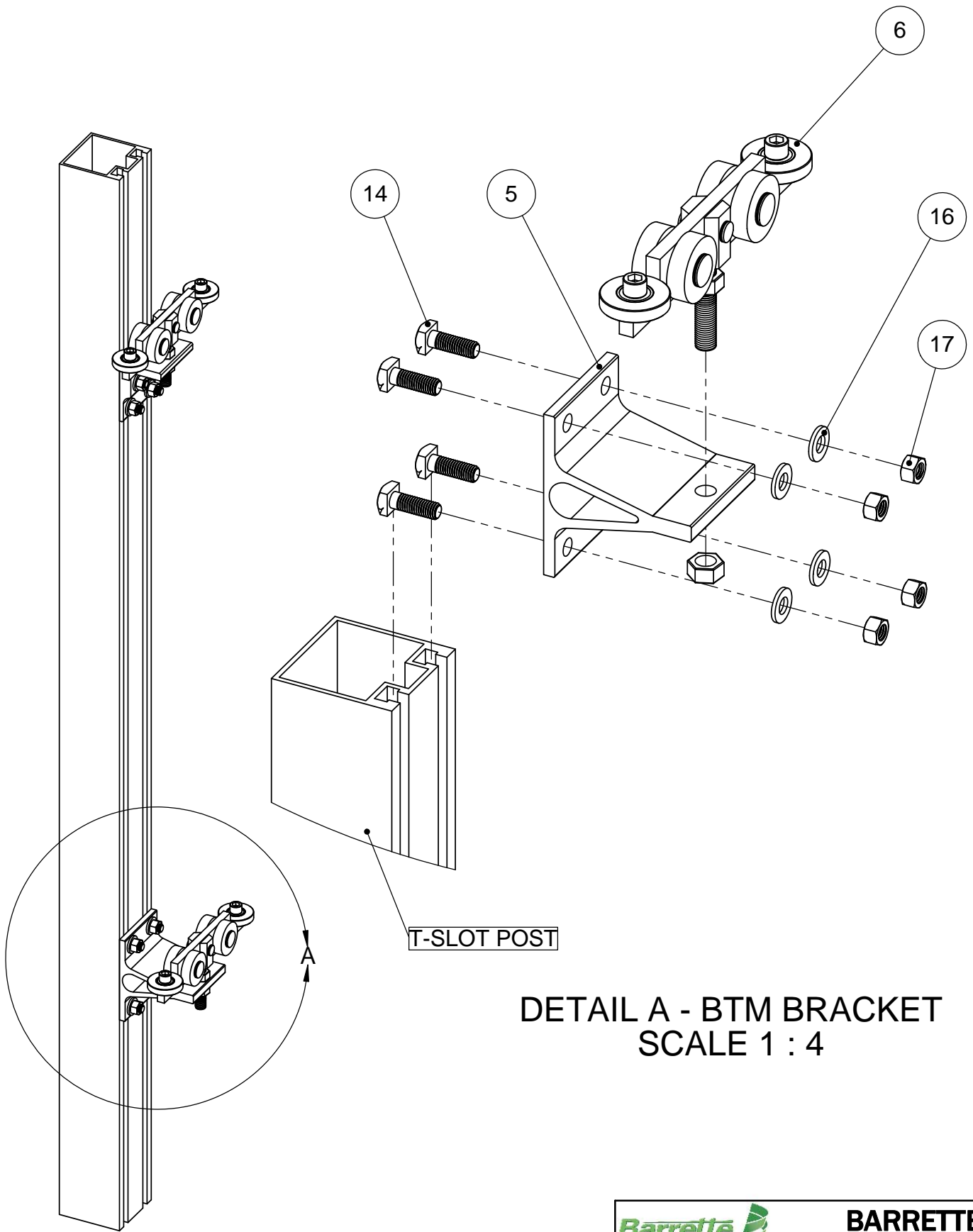
- **INSTALL BTM BRACKETS FIRST**



POST LOCATION DETAIL
SCALE 1 : 12

Barrette		BARRETTE Outdoor Living	
DRAWN: J.S.	DATE: 7-14-17	APPROVED:	
DESCRIPTION: T-SLOT SNGL CANTILEVER DBL SIDE BTM TRACK INSTRUCTIONS			
SHEET 3 OF 10	REVISION	PART NUMBER	
SCALE 1:12	0	34110345	
WEIGHT:			

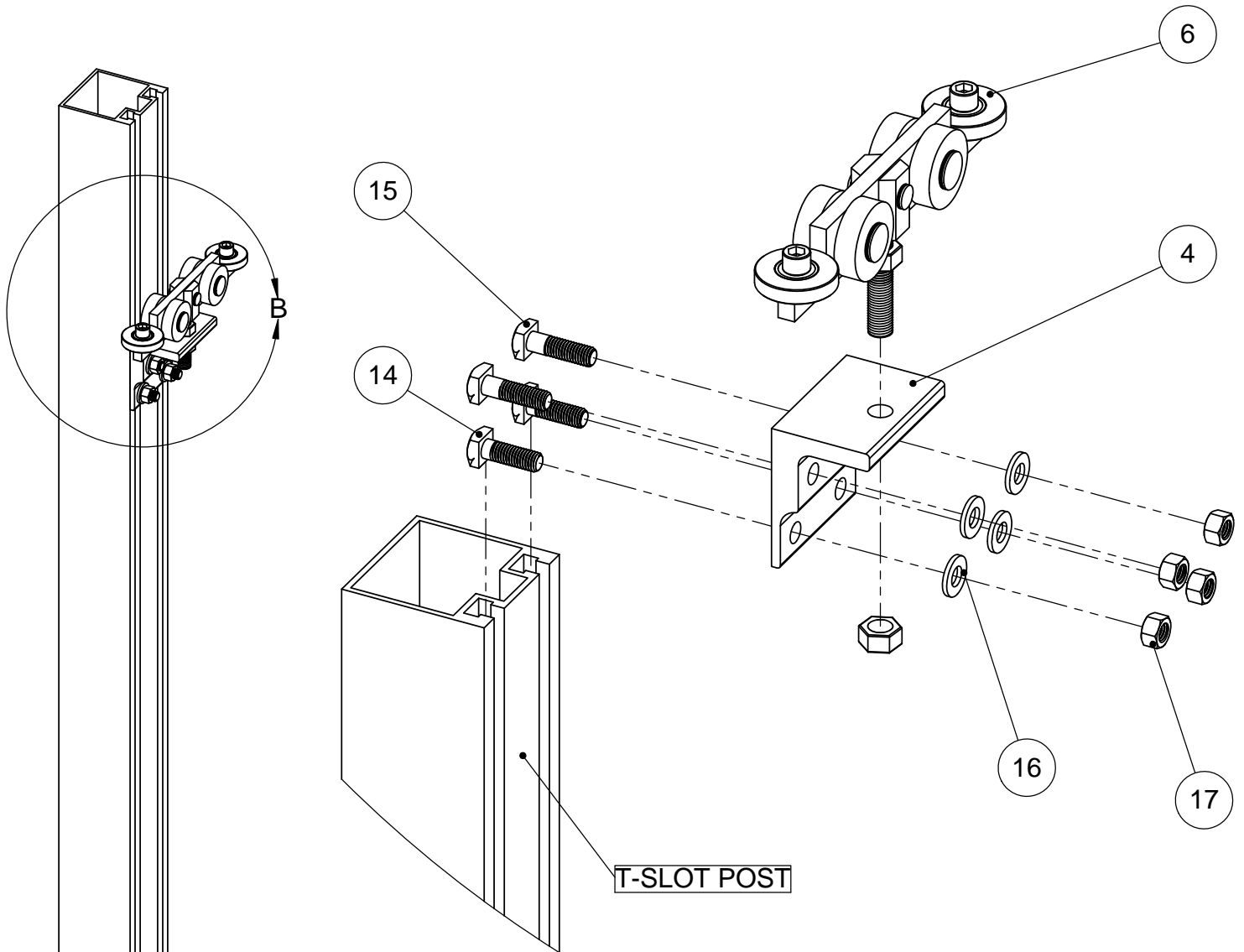
THE INFORMATION CONTAINED IN THIS DRAWING IS PROTECTED BY COPYRIGHT AND PATENT LAWS OF THE UNITED STATES AND OTHER COUNTRIES. ANY REPRODUCTION IN PART OR AS A WHOLE WITHOUT WRITTEN PERMISSION IS PROHIBITED.



DETAIL A - BTM BRACKET
SCALE 1 : 4

THE INFORMATION CONTAINED IN THIS DRAWING IS PROTECTED BY COPYRIGHT AND PATENT LAWS OF THE UNITED STATES AND OTHER COUNTRIES. ANY REPRODUCTION IN PART OR AS A WHOLE WITHOUT WRITTEN PERMISSION IS PROHIBITED.

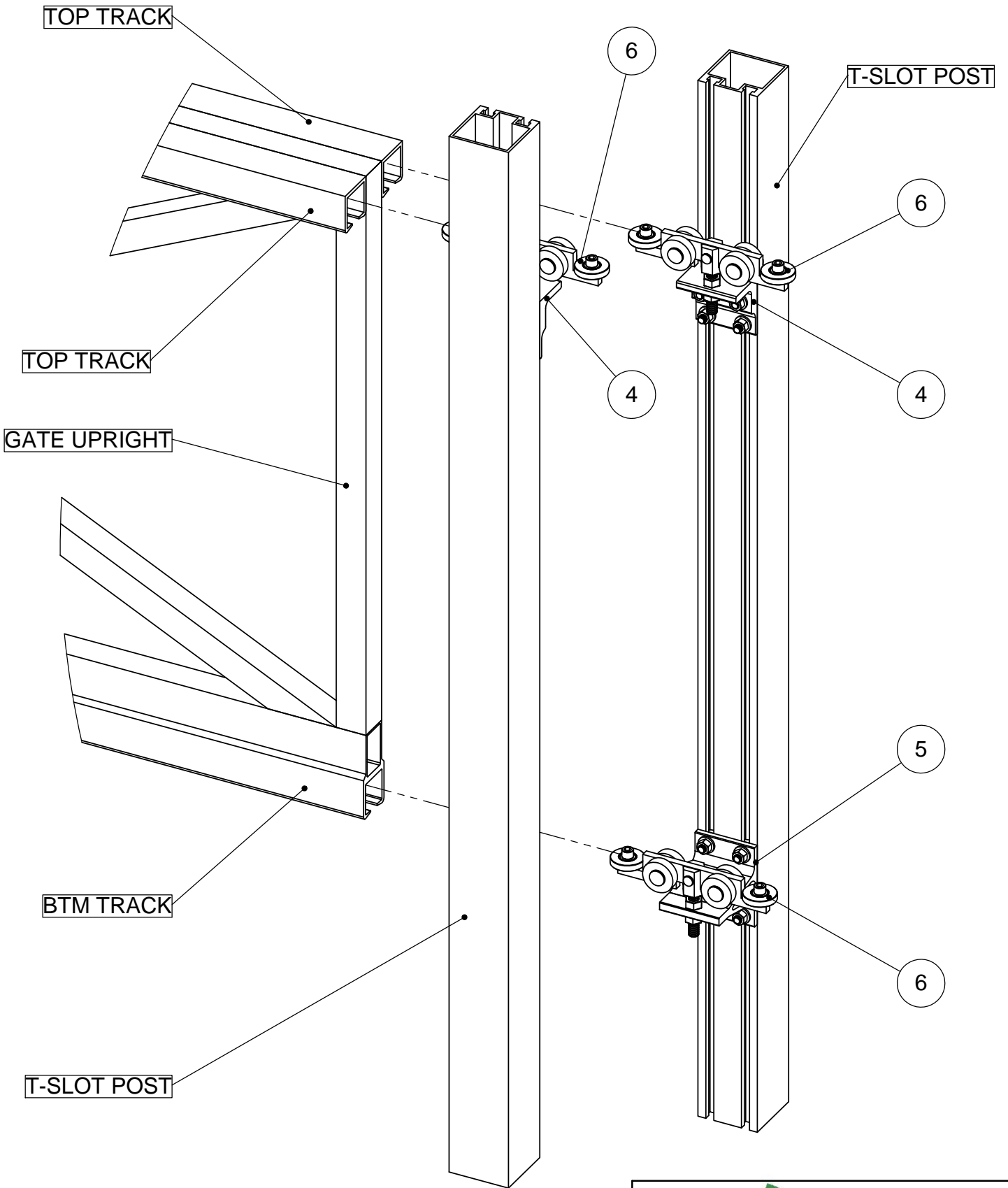
Barrette		BARRETTE Outdoor Living	
DRAWN: J.S.	DATE: 7-14-17	APPROVED:	
DESCRIPTION: T-SLOT SNGL CANTILEVER DBL SIDE BTM TRACK INSTRUCTIONS			
SHEET 4 OF 10	REVISION	PART NUMBER	
SCALE 1:4	0	34110345	
WEIGHT:			



DETAIL B - TOP BRACKET
SCALE 1 : 4

THE INFORMATION CONTAINED IN THIS DRAWING IS PROTECTED BY COPYRIGHT AND PATENT LAWS OF THE UNITED STATES AND OTHER COUNTRIES. ANY REPRODUCTION IN PART OR AS A WHOLE WITHOUT WRITTEN PERMISSION IS PROHIBITED.

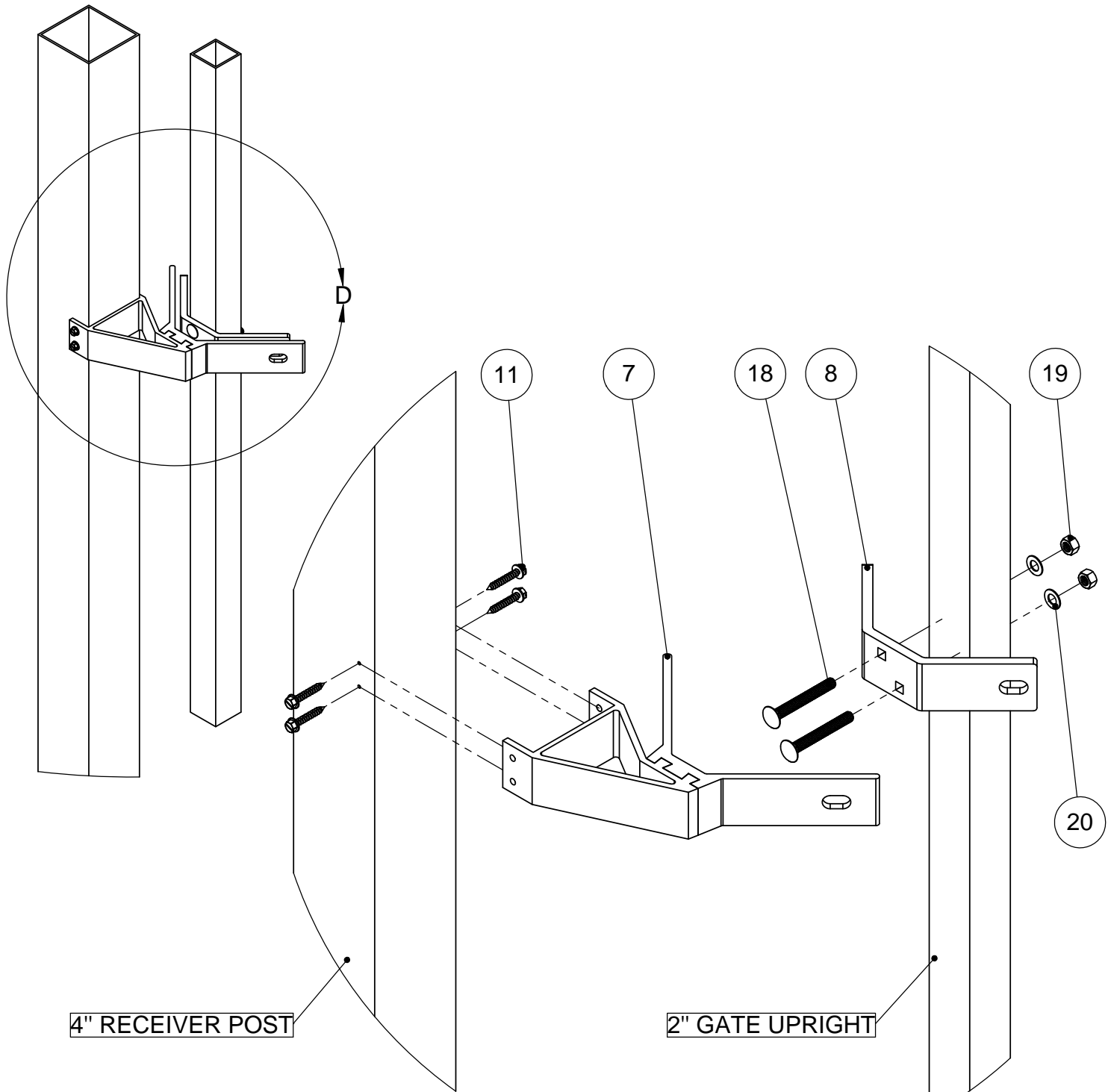
Barrette		BARRETTE Outdoor Living	
DRAWN: J.S.	DATE: 7-14-17	APPROVED:	
DESCRIPTION: T-SLOT SNGL CANTILEVER DBL SIDE BTM TRACK INSTRUCTIONS			
SHEET 5 OF 10	REVISION	PART NUMBER	
SCALE 1:4	0	34110345	
WEIGHT:			



DETAIL C - GATE POSITIONING
SCALE 1 : 4


THE INFORMATION CONTAINED IN THIS DRAWING IS PROTECTED BY COPYRIGHT AND PATENT LAWS OF THE UNITED STATES AND OTHER COUNTRIES. ANY REPRODUCTION IN PART OR AS A WHOLE WITHOUT WRITTEN PERMISSION IS PROHIBITED.

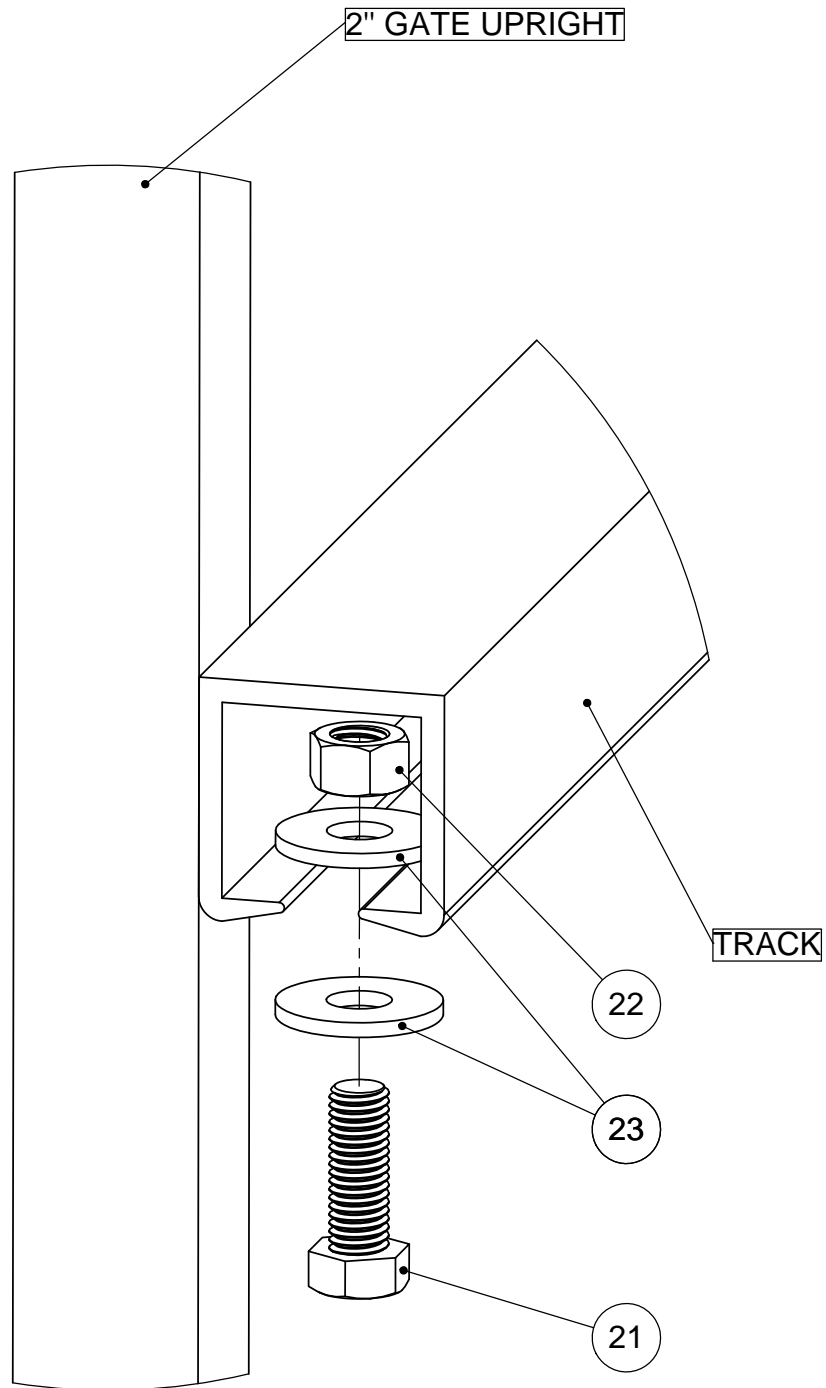
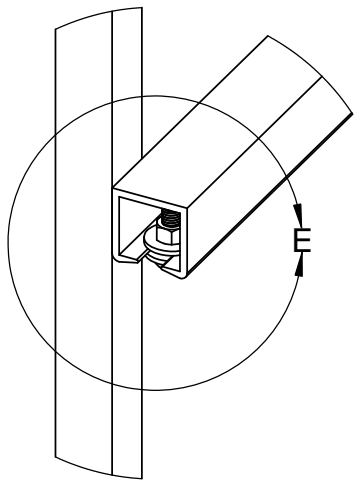
Barrette		BARRETTE Outdoor Living	
DRAWN: J.S.	DATE: 7-14-17	APPROVED:	
DESCRIPTION: T-SLOT SNGL CANTILEVER DBL SIDE BTM TRACK INSTRUCTIONS			
SHEET 6 OF 10	REVISION	PART NUMBER	
SCALE 1:4	0	34110345	
WEIGHT:			



DETAIL D - RECEIVER
SCALE 1 : 5



THE INFORMATION CONTAINED IN THIS DRAWING IS PROTECTED BY COPYRIGHT AND PATENT LAWS OF THE UNITED STATES AND OTHER COUNTRIES. ANY REPRODUCTION IN PART OR AS A WHOLE WITHOUT WRITTEN PERMISSION IS PROHIBITED.

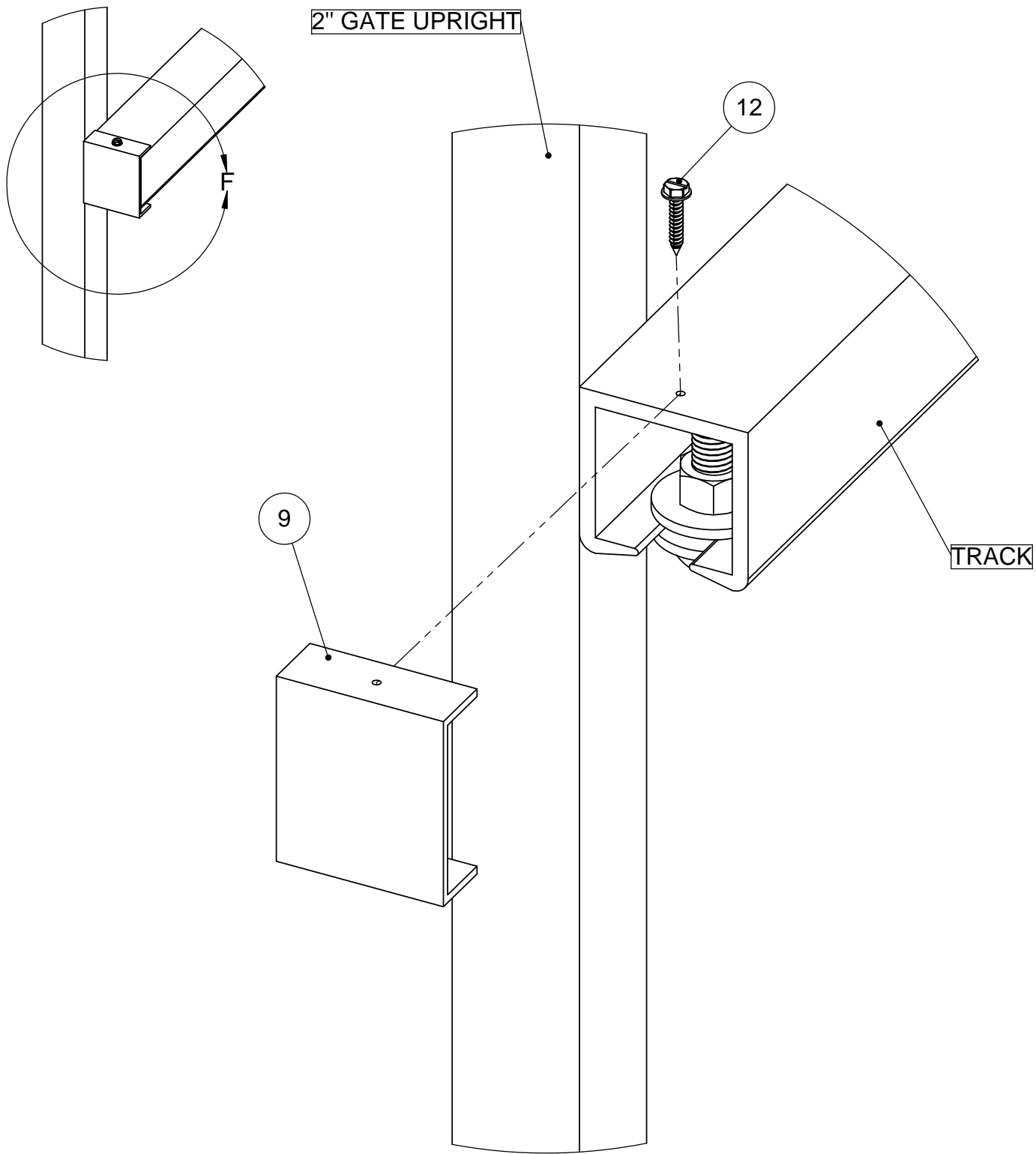
		BARRETTE Outdoor Living	
DRAWN: J.S.	DATE: 7-14-17	APPROVED:	
DESCRIPTION: T-SLOT SNGL CANTILEVER DBL SIDE BTM TRACK INSTRUCTIONS			
SHEET 7 OF 10	REVISION	PART NUMBER	
SCALE 1:5	0	34110345	
WEIGHT:			



DETAIL E - GATE STOP
SCALE 1 : 2



THE INFORMATION CONTAINED IN THIS DRAWING IS PROTECTED BY COPYRIGHT AND PATENT LAWS OF THE UNITED STATES AND OTHER COUNTRIES. ANY REPRODUCTION IN PART OR AS A WHOLE WITHOUT WRITTEN PERMISSION IS PROHIBITED.

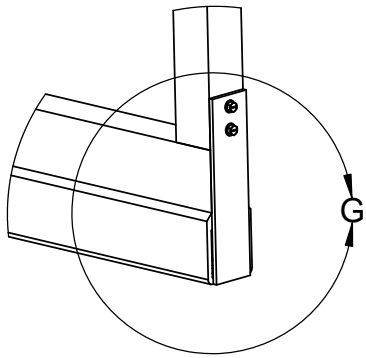
		BARRETTE Outdoor Living	
DRAWN: J.S.	DATE: 7-17-17	APPROVED:	
DESCRIPTION: T-SLOT SNGL CANTILEVER DBL SIDE BTM TRACK INSTRUCTIONS			
SHEET 8 OF 10	REVISION	PART NUMBER	
SCALE 1:2		34110345	
WEIGHT:			



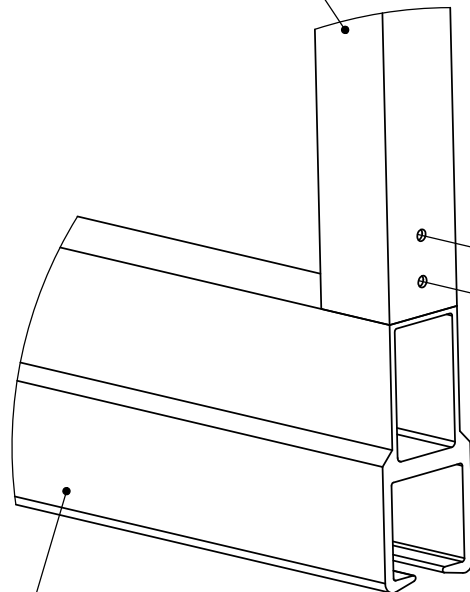
DETAIL F - COVER TRACK
SCALE 1 : 2

THE INFORMATION CONTAINED IN THIS DRAWING IS PROTECTED BY COPYRIGHT AND PATENT LAWS OF THE UNITED STATES AND OTHER COUNTRIES. ANY REPRODUCTION IN PART OR AS A WHOLE WITHOUT WRITTEN PERMISSION IS PROHIBITED.

		BARRETTE Outdoor Living	
DRAWN: J.S.	DATE: 7-17-17	APPROVED:	
DESCRIPTION: T-SLOT SNGL CANTILEVER DBL SIDE BTM TRACK INSTRUCTIONS			
SHEET 9 OF 10	REVISION	PART NUMBER	
SCALE 1:2		34110345	
WEIGHT:			



2" GATE UPRIGHT



10

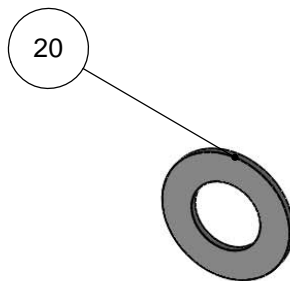
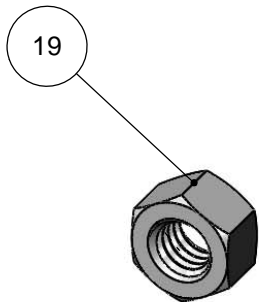
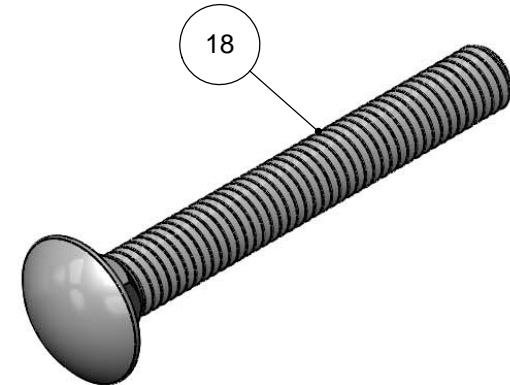
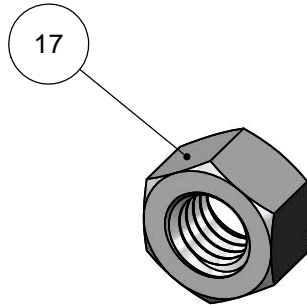
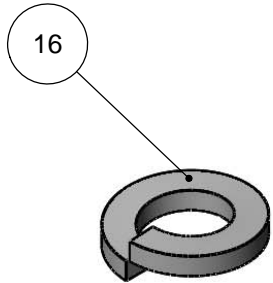
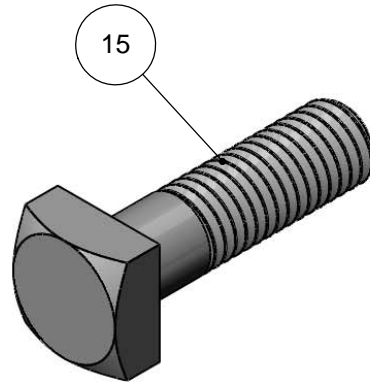
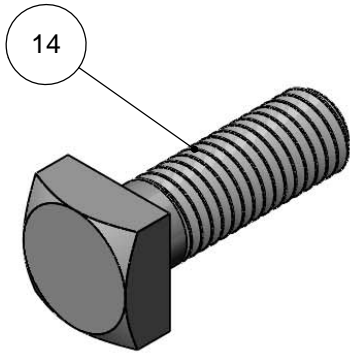
12

BTM TRACK

DETAIL G - END COVER
SCALE 1 : 4

		BARRETTE Outdoor Living	
DRAWN: J.S.	DATE: 7-17-17	APPROVED:	
DESCRIPTION: T-SLOT SNGL CANTILEVER DBL SIDE BTM TRACK INSTRUCTIONS			
SHEET 10 OF 10	REVISION	PART NUMBER	
SCALE 1:4		34110345	
WEIGHT:			

THE INFORMATION CONTAINED IN THIS DRAWING IS PROTECTED BY COPYRIGHT AND PATENT LAWS OF THE UNITED STATES AND OTHER COUNTRIES. ANY REPRODUCTION IN PART OR AS A WHOLE WITHOUT WRITTEN PERMISSION IS PROHIBITED.

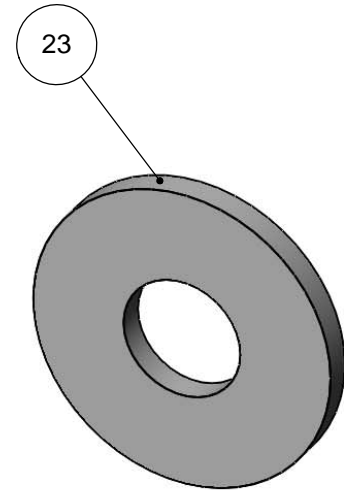
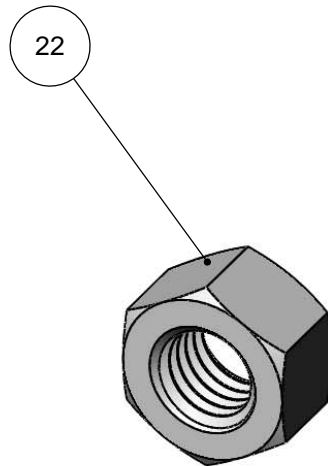
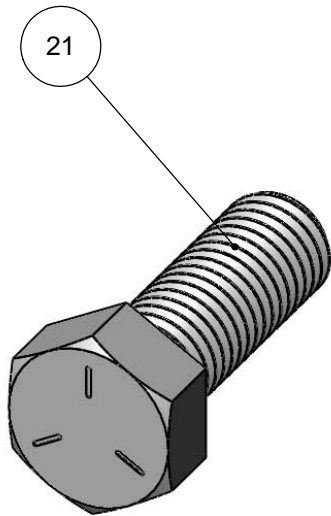


ITEM #	PART #	DESCRIPTION	QTY
14	34110253	1/2"-13x1 1/2" SQ HD BOLT ZINC GRADE 5	16
15	34110254	1/2"-13x1 3/4" SQ HD BOLT ZINC GRADE 5	8
16	34110251	1/2" SPLIT LOCK WASHER ZINC	24
17	34110252	1/2"-13 HEX NUT ZINC	24
18	34110256	3/8"-16x3" CARRIAGE BOLT ZINC GRADE A307	2
19	34110107	3/8"-16 HEX NUT ZINC	2
20	34110281	3/8" WASHER ZINC	2

THE INFORMATION CONTAINED IN THIS DRAWING IS PROTECTED BY COPYRIGHT AND PATENT LAWS OF THE UNITED STATES AND OTHER COUNTRIES. ANY REPRODUCTION IN PART OR AS A WHOLE WITHOUT WRITTEN PERMISSION IS PROHIBITED.

		BARRETTE Outdoor Living	
DRAWN:	J.S.	DATE:	7-17-17
		APPROVED:	
DESCRIPTION: T-SLOT SNGL CANTILEVER DBL SIDE BTM TRACK HARDWARE KIT			
SHEET 1 OF 1		REVISION	PART NUMBER
SCALE 1:1			6111225
WEIGHT:			

ITEM #	PART #	DESCRIPTION	QTY
21	34110578	5/8"-11X1-3/4 BOLT HEX HD ZINC GRADE 5	1
22	34110579	5/8"-11 HEX NUT ZINC	1
23	34110580	5/8" FLAT WASHER ZINC	2



THE INFORMATION CONTAINED IN THIS DRAWING IS PROTECTED BY COPYRIGHT AND PATENT LAWS OF THE UNITED STATES AND OTHER COUNTRIES. ANY REPRODUCTION IN PART OR AS A WHOLE WITHOUT WRITTEN PERMISSION IS PROHIBITED.

		BARRETTE Outdoor Living	
DRAWN: J.S.	DATE: 7-17-17	APPROVED:	
DESCRIPTION: HARDWARE KIT CANTILEVER GATE STOP			
SHEET 1 OF 1	REVISION	PART NUMBER	
SCALE 1:1		61123135	
WEIGHT:			