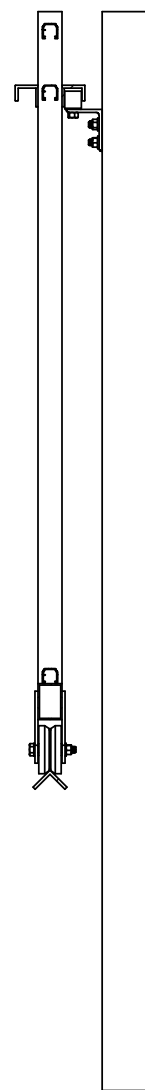
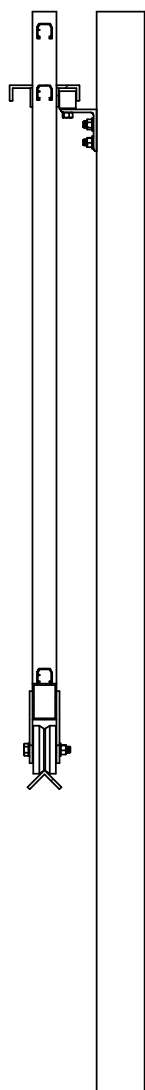




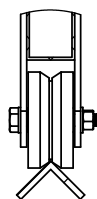
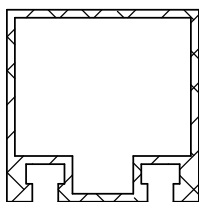
Protecting what you love

T-SLOT DOUBLE V-GROOVE GATE

Installation Kit - Instructions



SKU	COLOR
61123562	BEIGE
61123563	BLACK
61123564	FLORIDA BRONZE
61123565	GREEN
61123566	GRAY
61123567	LIGHT BRONZE
61118978	MATTE BLACK
61123568	MILL
61118979	MATTE BRONZE
61123569	WHITE





ITEM #	PART #				DESCRIPTION	QTY
1	34110632				T-SLOT DOUBLE V-GROOVE GATE-INSTRUCTIONS	1
2	61123553				HARDWARE KIT - T-SLOT SINGLE V-GROOVE GATE	2
3	34110217				HARDWARE KIT - V-GROOVE WHEEL	2
4	61112841				HARDWARE KIT - T-SLOT RECEIVER	1
5	61111205	BG	61111210	LB	T-SLOT SIDE GUIDE BRACKET	2
	61111206	BK	61119099	MB		
	61111207	BZ	61111211	MF		
	61111208	GR	61119100	MZ		
	61111209	GY	61111212	WH		
6	61111046	BG	61111170	LB	T-SLOT RECEIVER DBL	1
	61111047	BK	61119091	MB		
	61111048	BZ	61111171	MF		
	61111049	GR	61119092	MZ		
	61111169	GY	61111172	WH		
7	61111173	BG	61111178	LB	T-SLOT RECEIVER GATE	1
	61111174	BK	61119093	MB		
	61111175	BZ	61111179	MF		
	61111176	GR	61119094	MZ		
	61111177	GY	61111180	WH		
8	34110287				1.43" DIA. DERLIN GUIDE WHEEL	2
9	34110341				GREASE 3 OZ.	1
10	34110253				1/2"-13X1 1/2" SQ HD BOLT ZINC GRADE 5	4
11	34110251				1/2" SPLIT LOCK WASHER ZINC	4
12	34110252				1/2"-13 HEX NUT ZINC	5
13	34110257				5/8" SHOULDER BOLT 1" LONG STEEL	1
14	34110215				NYLON WASHER .08X1.25X.75 ID	1
15	34110256				3/8"-16X3" CARRIAGE BOLT ZINC GRADE A307	2
16	34110107				3/8"-16 HEX NUT ZINC	2
17	34110281				3/8" WASHER ZINC	2
18	73022415				SCREW #14X1-1/2 HX HD SDS 410 SS	5

NOTE:

- 1.) ITEM #10 TO #14 IS PART OF 61123553 HARDWARE KIT (ITEM 2)
- 2.) ITEM #15 TO #18 IS PART OF 61112841 HARDWARE KIT (ITEM 4)
- 3.) FOR MATTE BLACK KITS USE BLACK SCREWS
- 4.) FOR MATTE BRONZE KITS USE LIGHT BRONZE SCREWS

THE INFORMATION CONTAINED IN THIS DRAWING IS PROTECTED BY COPYRIGHT AND PATENT LAWS OF THE UNITED STATES AND OTHER COUNTRIES. ANY REPRODUCTION IN PART OR AS A WHOLE WITHOUT WRITTEN PERMISSION IS PROHIBITED.

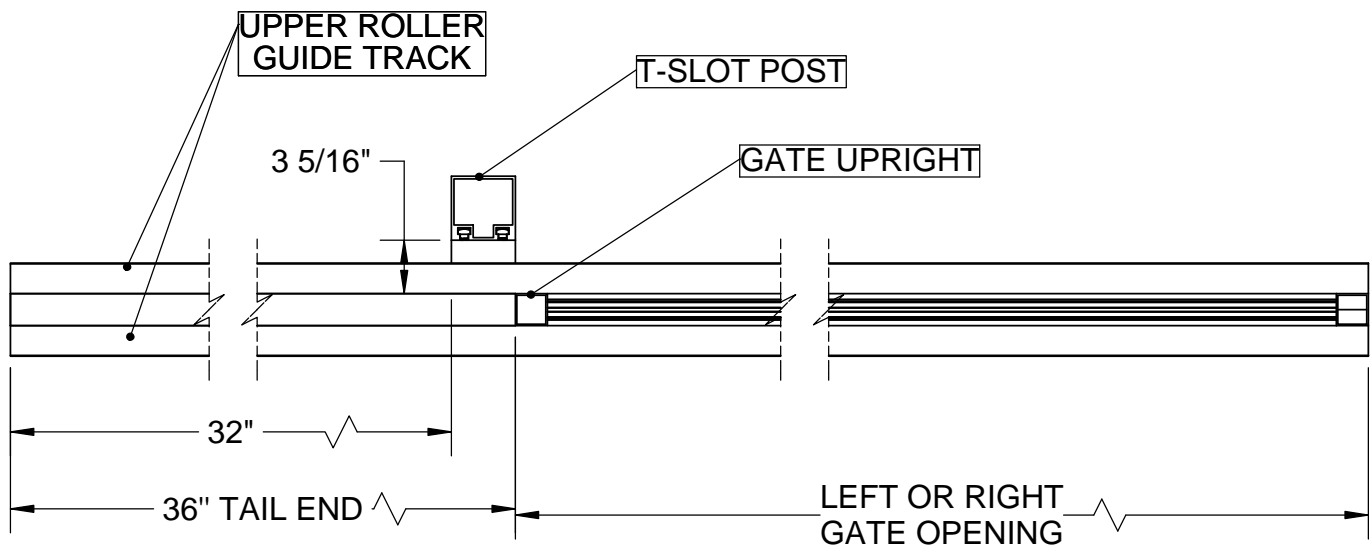
		BARRETTE Outdoor Living	
DRAWN: JS	DATE: 10/11/2017	APPROVED:	
DESCRIPTION: T-SLOT DOUBLE V-GROOVE GATE INSTR KIT			
SHEET 1 OF 6	REVISION:	PART NUMBER	
SCALE:		34110632	
WEIGHT:			

INSTALLATION PROCEDURE:

- 1.SET 4" POSTS IN THE GROUND - SEE POST LOCATION BELOW.
- 2.INSTALL V-GROOVE WHEELS (ITEM #3) ON THE GATE - SEE SHEET 3
- 3.INSTALL TOP BRACKET (ITEM #5) AND GUIDE WHEEL (ITEM #8) - SEE SHEET 4
- 4.PLACE GATE IN THE POSITION - SLIDE UPPER ROLLER GUIDE ON GUIDE WHEEL (ITEM #8)
- SEE SHEET 5
- 5.INSTALL RECEIVER DBL (ITEM #6) AND GATE RECEIVER (ITEM #7) - SEE SHEET 6

NOTE:

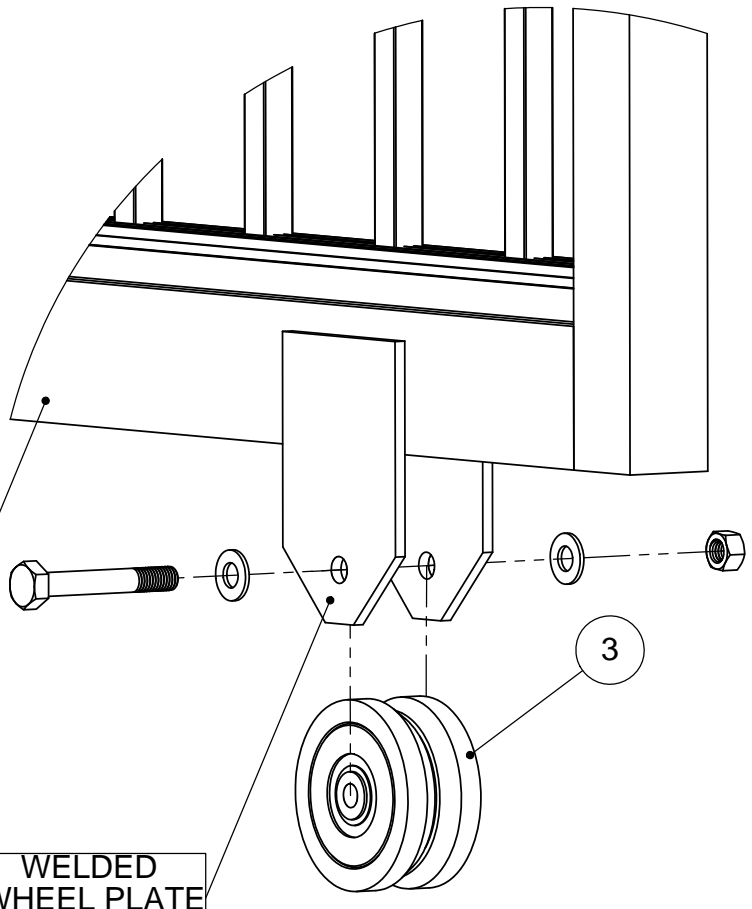
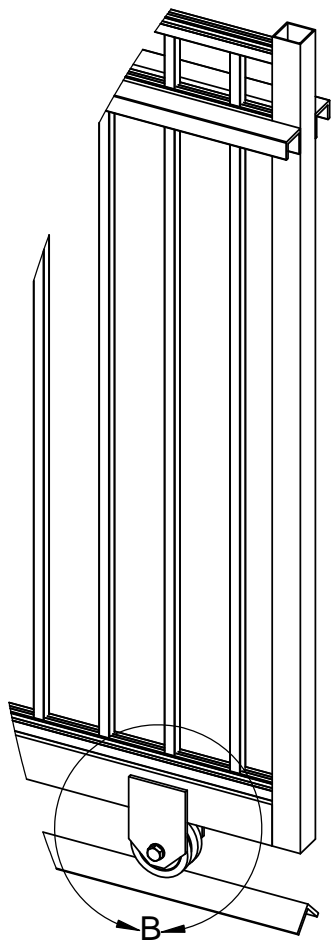
- APPLY GREASE (ITEM #9) ON THE SHOULDER BOLTS (ITEM #13), INSIDE GUIDE WHEELS (ITEM # 8) AND TOP OF NYLON WASHER (ITEM #14). MAINTAIN GREASE EVERY 4 TO 6 MONTHS.



POST LOCATION DETAIL
SCALE 1:12

THE INFORMATION CONTAINED IN THIS DRAWING IS PROTECTED BY COPYRIGHT AND PATENT LAWS OF THE UNITED STATES AND OTHER COUNTRIES. ANY REPRODUCTION IN PART OR AS A WHOLE WITHOUT WRITTEN PERMISSION IS PROHIBITED.

Barrette		BARRETTE Outdoor Living	
DRAWN: JS	DATE: 10/11/2017	APPROVED:	
DESCRIPTION: T-SLOT DOUBLE V-GROOVE GATE INSTR KIT			
SHEET 2 OF 6	REVISION	PART NUMBER	
SCALE 1:12	0	34110632	
WEIGHT:			



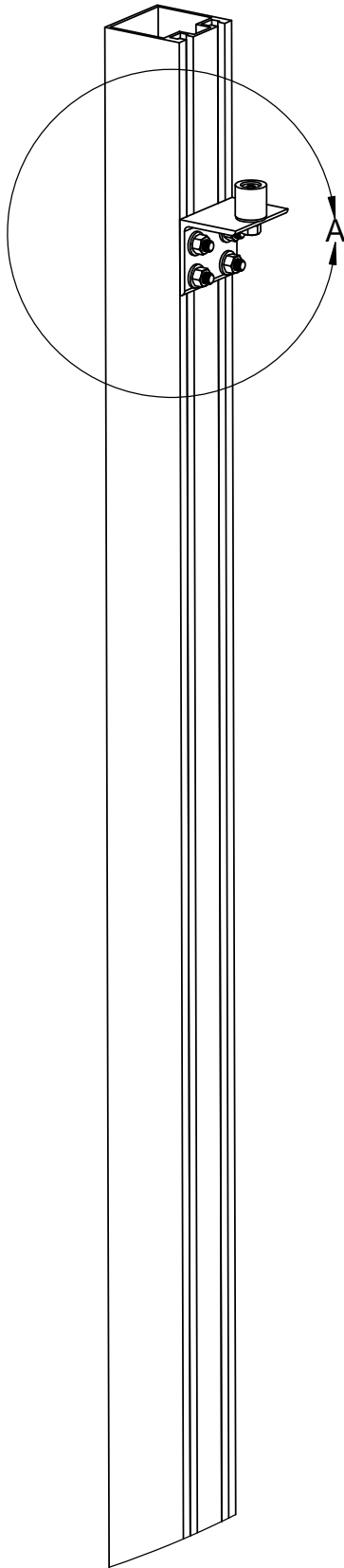
GATE FRAME

WELDED
WHEEL PLATE

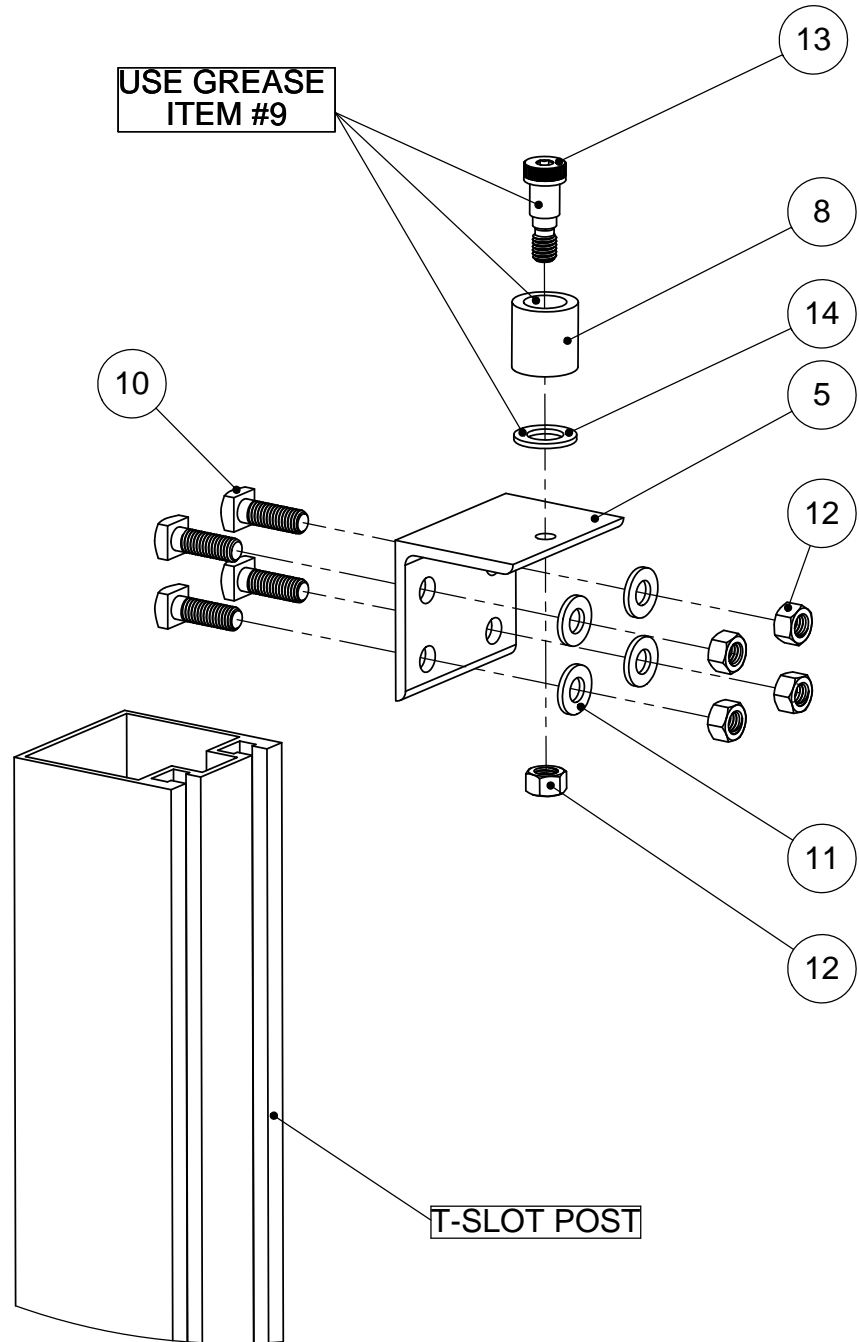
DETAIL B - V-GROOVE WHEEL
SCALE 1 : 4

THE INFORMATION CONTAINED IN THIS DRAWING IS PROTECTED BY COPYRIGHT AND PATENT LAWS OF THE UNITED STATES AND OTHER COUNTRIES. ANY REPRODUCTION IN PART OR AS A WHOLE WITHOUT WRITTEN PERMISSION IS PROHIBITED.

Barrette		BARRETTE Outdoor Living	
DRAWN: JS	DATE: 10/11/2017	APPROVED:	
DESCRIPTION: T-SLOT DOUBLE V-GROOVE GATE INSTR KIT			
SHEET 3 OF 6	REVISION	PART NUMBER	
SCALE 1:4	0	34110632	
WEIGHT:			



USE GREASE
ITEM #9



DETAIL A - TOP BRACKET
SCALE 1 : 4

THE INFORMATION CONTAINED IN THIS DRAWING IS PROTECTED BY COPYRIGHT AND PATENT LAWS OF THE UNITED STATES AND OTHER COUNTRIES. ANY REPRODUCTION IN PART OR AS A WHOLE WITHOUT WRITTEN PERMISSION IS PROHIBITED.

Barrette		BARRETTE Outdoor Living	
DRAWN: JS	DATE: 10/11/2017	APPROVED:	
DESCRIPTION: T-SLOT DOUBLE V-GROOVE GATE INSTR KIT			
SHEET 4 OF 6	REVISION	PART NUMBER	
SCALE 1:4	0	34110632	
WEIGHT:			

UPPER ROLLER
GUIDE TRACK

8

5

GATE
UPRIGHT

T-SLOT POST

0.25" MIN.

GUIDE TRACK - DETAIL
SCALE 1 : 4

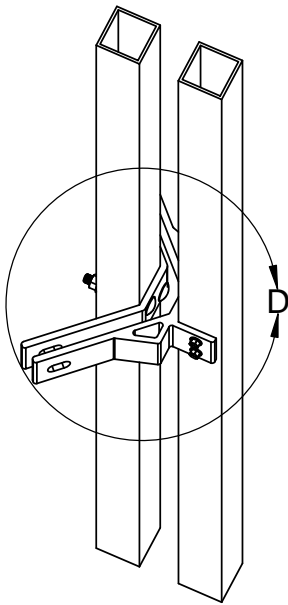
DETAIL C - GATE POSITIONING
SCALE 1 : 8

THE INFORMATION CONTAINED IN THIS DRAWING IS PROTECTED BY COPYRIGHT AND PATENT LAWS OF THE UNITED STATES AND OTHER COUNTRIES. ANY REPRODUCTION IN PART OR AS A WHOLE WITHOUT WRITTEN PERMISSION IS PROHIBITED.



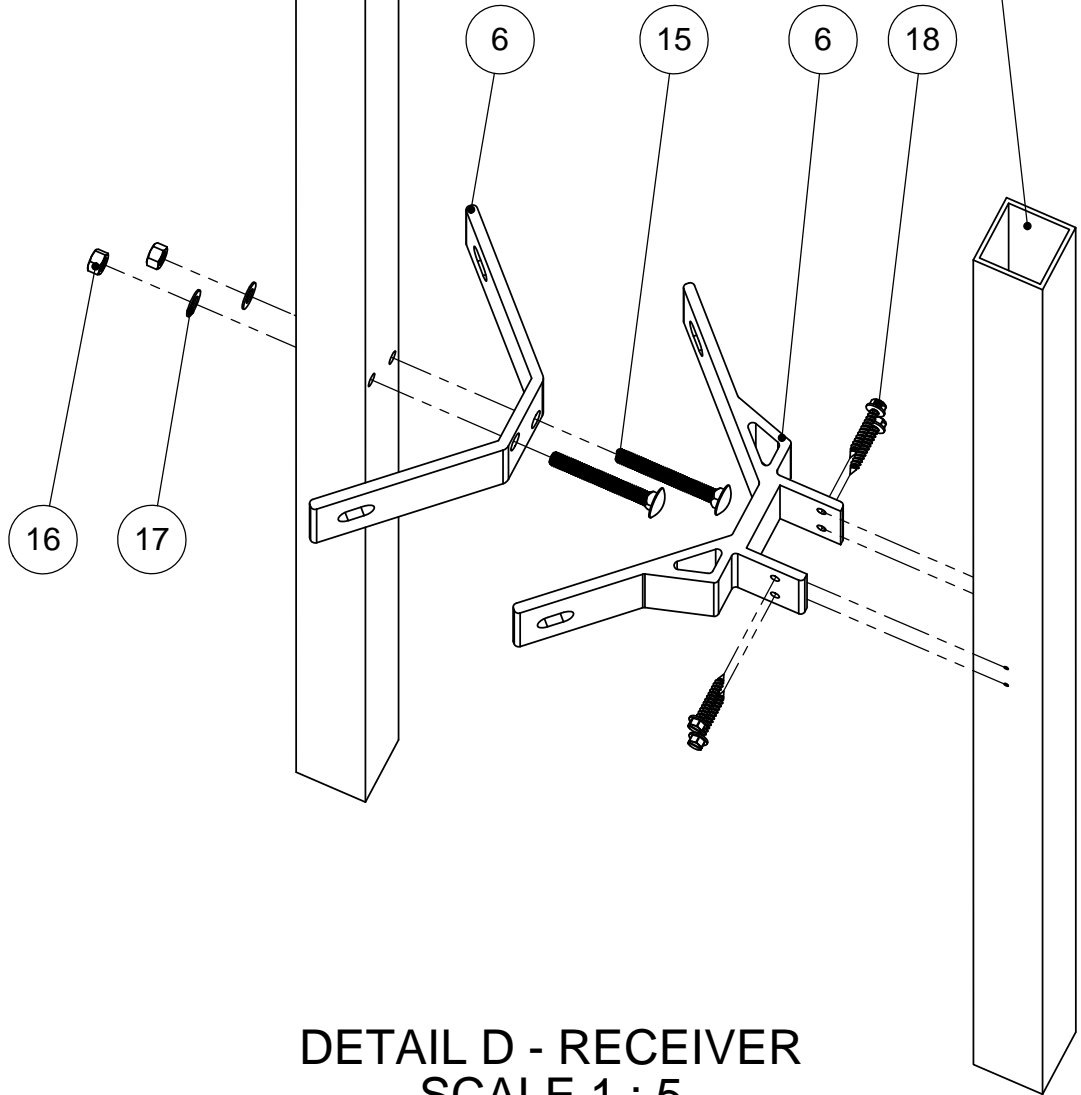
BARRETTE
Outdoor Living

DRAWN: JS	DATE: 10/11/2017	APPROVED:
DESCRIPTION: T-SLOT DOUBLE V-GROOVE GATE INSTR KIT		
SHEET 5 OF 6	REVISION	PART NUMBER
SCALE 1:8	0	34110632
WEIGHT:		



2" UPRIGHT
LEFT GATE

2" UPRIGHT
RIGHT GATE

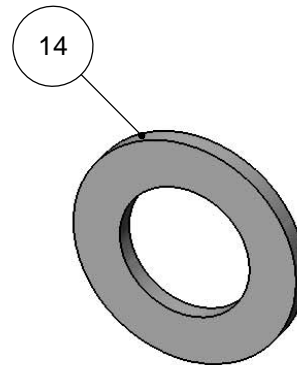
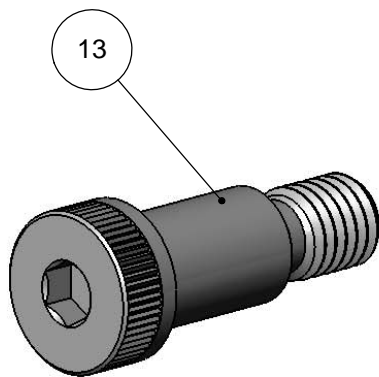
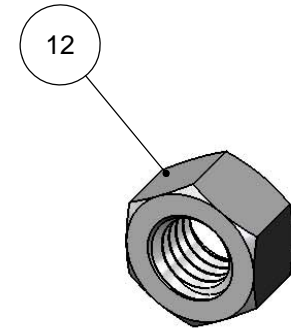
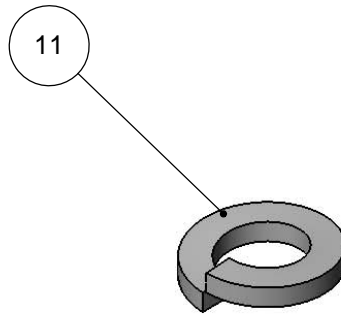
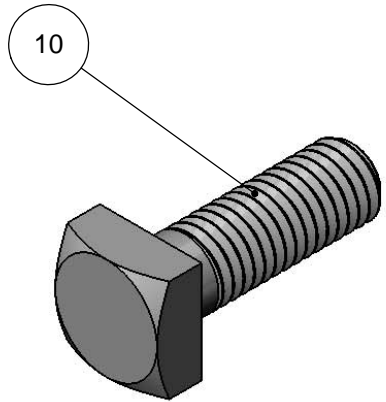


DETAIL D - RECEIVER
SCALE 1 : 5

THE INFORMATION CONTAINED IN THIS DRAWING IS PROTECTED BY COPYRIGHT AND PATENT LAWS OF THE UNITED STATES AND OTHER COUNTRIES. ANY REPRODUCTION IN PART OR AS A WHOLE WITHOUT WRITTEN PERMISSION IS PROHIBITED.

Barrette		BARRETTE Outdoor Living	
DRAWN: JS	DATE: 10/11/2017	APPROVED:	
DESCRIPTION: T-SLOT DOUBLE V-GROOVE GATE INSTR KIT			
SHEET 6 OF 6	REVISION	PART NUMBER	
SCALE 1:5	0	34110632	
WEIGHT:			

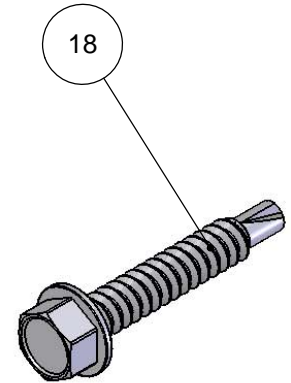
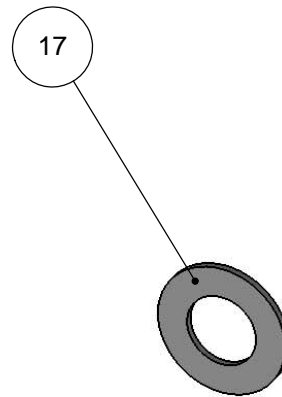
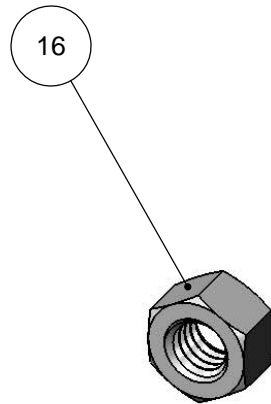
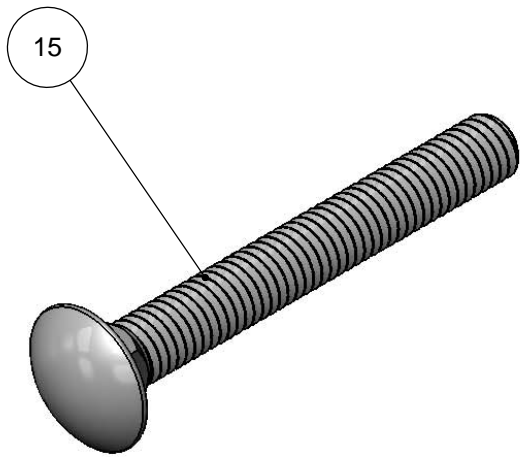
ITEM #	PART #	DESCRIPTION	QTY
10	34110253	1/2"-13x1 1/2" SQ HD BOLT ZINC GRADE 5	4
11	34110251	1/2" SPLIT LOCK WASHER ZINC	4
12	34110252	1/2"-13 HEX NUT ZINC	5
13	34110257	5/8" SHOULDER BOLT 1" LONG STEEL	1
14	34110215	NYLON WASHER .08x1.25x.75 ID	1



THE INFORMATION CONTAINED IN THIS DRAWING IS PROTECTED BY COPYRIGHT AND PATENT LAWS OF THE UNITED STATES AND OTHER COUNTRIES. ANY REPRODUCTION IN PART OR AS A WHOLE WITHOUT WRITTEN PERMISSION IS PROHIBITED.

		BARRETTE Outdoor Living	
DRAWN: JS	DATE: 10/10/2017	APPROVED:	
DESCRIPTION: T-SLOT SINGLE V-GROOVE GATE HARDWARE KIT			
SHEET 1 OF 1	REVISION	PART NUMBER	
SCALE 1:1	0	61123553	
WEIGHT:			

ITEM #	PART #	DESCRIPTION	QTY
15	34110256	3/8"-16x3" CARRIAGE BOLT ZINC GRADE A307	2
16	34110107	3/8"-16 HEX NUT ZINC	2
17	34110281	3/8" WASHER ZINC	2
18	73022415	SCREW #14X1-1/2 HX HD SDS 410 SS	5



THE INFORMATION CONTAINED IN THIS DRAWING IS PROTECTED BY COPYRIGHT AND PATENT LAWS OF THE UNITED STATES AND OTHER COUNTRIES. ANY REPRODUCTION IN PART OR AS A WHOLE WITHOUT WRITTEN PERMISSION IS PROHIBITED.

		BARRETTE Outdoor Living	
DRAWN:	JS	DATE:	10/10/2017
DESCRIPTION:		APPROVED:	
HARDWARE KIT - T-SLOT RECEIVER			
SHEET 1 OF 1		REVISION	PART NUMBER
SCALE 1:1			61112841
WEIGHT:			