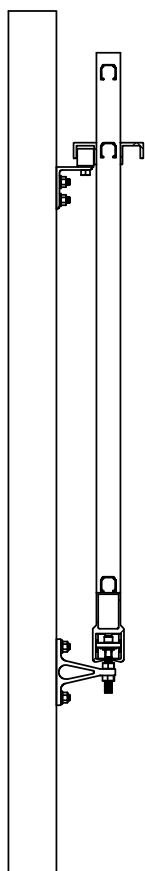




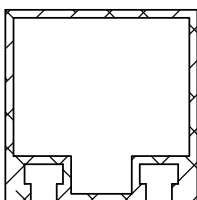
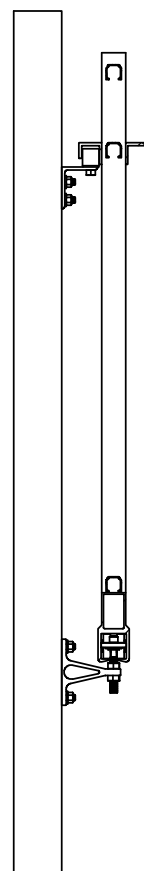
# T-SLOT DOUBLE CANTILEVER

## BOTTOM TRACK

### Installation Kit - Instructions





SKU	COLOR
6111229	BEIGE
6111230	BLACK
6111235	FLORIDA BRONZE
6111231	GREEN
6111232	GRAY
6111233	LIGHT BRONZE
61118946	MATTE BLACK
6111234	MILL
61118947	MATTE BRONZE
6111236	WHITE



ITEM #	PART #				DESCRIPTION	QTY
1	34110348				T-SLOT DBL CANTILEVER BTM TRACK INSTRUCTIONS	1
2	61111222				T-SLOT DBL CANTILEVER BTM TRACK HARDWARE KIT	1
3	61123135				HARDWARE KIT CANTILEVER GATE STOP	2
4	61111205	BG	61111210	LB	T-SLOT SIDE GUIDE BRACKET	4
	61111206	BK	61119099	MB		
	61111207	BZ	61111211	MF		
	61111208	GR	61119100	MZ		
	61111209	GY	61111212	WH		
5	61111197	BG	61111202	LB	T-SLOT BTM TROLLEY BRACKET	4
	61111198	BK	61119097	MB		
	61111199	BZ	61111203	MF		
	61111200	GR	61119098	MZ		
	61111201	GY	61111204	WH		
6	34110853				TROLLEY 4 WHEEL TA-100	4
7	61111146	BG	61111170	LB	T-SLOT RECEIVER DBL	1
	61111147	BK	61119091	MB		
	61111148	BZ	61111171	MF		
	61111149	GR	61119092	MZ		
	61111169	GY	61111172	WH		
8	61111173	BG	61111178	LB	T-SLOT RECEIVER GATE	1
	61111174	BK	61118493	MB		
	61111175	BZ	61111179	MF		
	61111176	GR	61118494	MZ		
	61111177	GY	61111180	WH		
9	61111038	BG	61111043	LB	T-SLOT BTM END COVER	2
	61111039	BK	61119089	MB		
	61111040	BZ	61111044	MF		
	61111041	GR	61119090	MZ		
	61111042	GY	61111045	WH		
10	34110287				1.43" DIA. DERLIN GUIDE WHEEL	4
11	73022816	BG	73026018	GY	SCREW #14x1-1/2 HX HD SDS 410 SS	10
	73022817	BK	73022820	LB		
	73022818	BZ	73022415	MF		
	73022819	GR	73022821	WH		

THE INFORMATION CONTAINED IN THIS DRAWING IS PROTECTED BY COPYRIGHT AND PATENT LAWS OF THE UNITED STATES AND OTHER COUNTRIES. ANY REPRODUCTION IN PART OR AS A WHOLE WITHOUT WRITTEN PERMISSION IS PROHIBITED.



		<b>BARRETTE Outdoor Living</b>	
DRAWN: J.S.	DATE: 7-12-17	APPROVED:	
DESCRIPTION: T-SLOT DBL CANTILEVER BTM TRACK INSTRUCTIONS			
SHEET 1 OF 9		REVISION:	PART NUMBER:
SCALE:			<b>34110348</b>
WEIGHT:			

12	34110341	GREASE 3 OZ.	1
13	34110253	1/2"-13x1 1/2" SQ HD BOLT ZINC GRADE 5	32
14	34110251	1/2" SPLIT LOCK WASHER ZINC	32
15	34110252	1/2"-13 HEX NUT ZINC	36
16	34110257	5/8" SHOULDER BOLT 1" LONG STEEL	4
17	34110215	NYLON WASHER .08x1.25x.75 ID	4
18	34110256	3/8"-16x3" CARRIAGE BOLT ZINC GRADE A307	2
19	34110107	3/8"-16 HEX NUT ZINC	2
20	34110281	3/8" WASHER ZINC	2
21	34110578	5/8"-11X1-3/4 BOLT HEX HD ZINC GRADE 5	1
22	34110579	5/8"-11 HEX NUT ZINC	1
23	34110580	5/8" FLAT WASHER ZINC	2

**NOTE:**

- 1.) ITEM #13 TO #20 IS PART OF 61111222 HARDWARE KIT ( SEE SHEET 1 - ITEM 2)
- 2.) ITEM #21 TO #23 IS PART OF 61123135 HARDWARE KIT ( SEE SHEET 1 - ITEM 3)
- 3.) FOR MATTE BLACK KITS USE BLACK SCREWS
- 4.) FOR MATTE BRONZE KITS USE LIGHT BRONZE SCREWS

THE INFORMATION CONTAINED IN THIS DRAWING IS PROTECTED BY COPYRIGHT AND PATENT LAWS OF THE UNITED STATES AND OTHER COUNTRIES. ANY REPRODUCTION IN PART OR AS A WHOLE WITHOUT WRITTEN PERMISSION IS PROHIBITED.

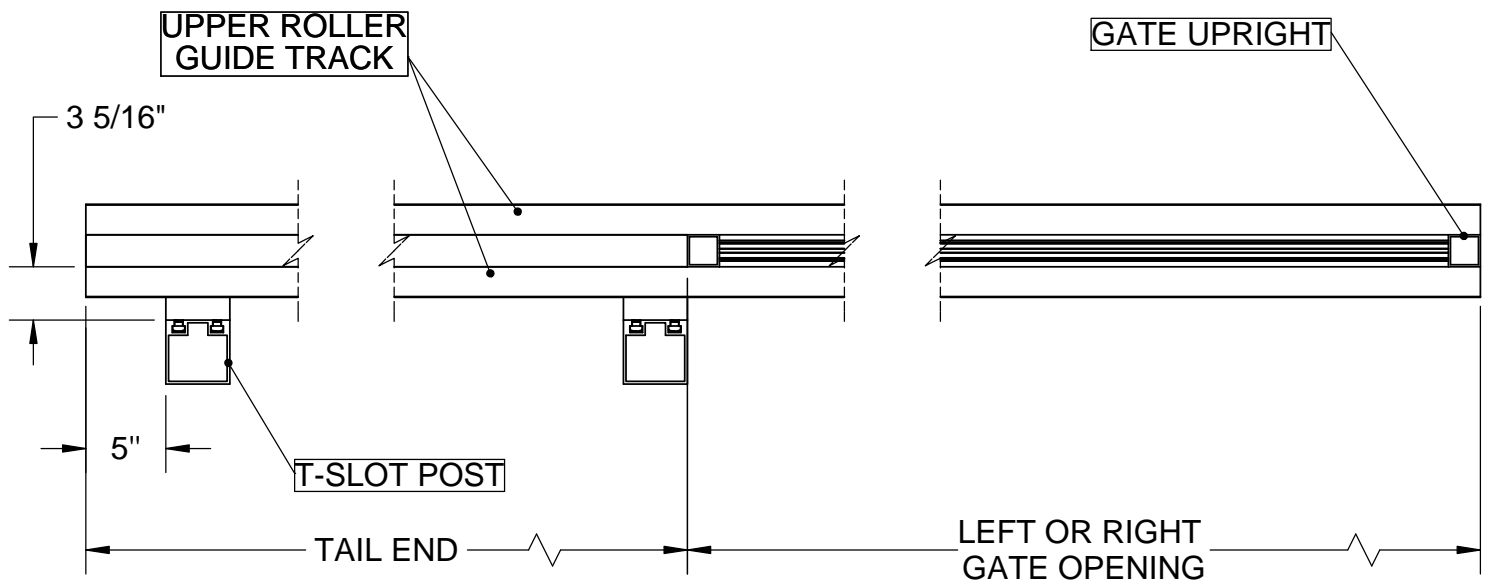
		<b>BARRETTE Outdoor Living</b>	
DRAWN: J.S.	DATE: 7-12-17	APPROVED:	
DESCRIPTION: <b>T-SLOT DBL CANTILEVER BTM TRACK INSTRUCTIONS</b>			
SHEET 2 OF 9	REVISION: 	PART NUMBER: <b>34110348</b>	
SCALE:			
WEIGHT:			

# INSTALLATION PROCEDURE:

- 1.SET T-SLOT POSTS IN THE GROUND - SEE POST LOCATION BELOW.
- 2.INSTALL BTM BRACKET (ITEM #5) AND WHEEL TROLLEY ( ITEM #6) - SEE SHEET 4
- 3.INSTALL TOP BRACKET (ITEM #4) AND GUIDE WHEEL ( ITEM #10) - SEE SHEET 5
- 4.PLACE GATE IN THE POSITION - SLIDE GATE BTM TRACK INTO WHEEL TROLLEY (ITEM #6) AND UPPER ROLLER GUIDE ON GUIDE WHEEL (ITEM #10) - SEE SHEET 6
5. INSTALL GATE RECEIVER (ITEM #7) AND GATE RECEIVER (ITEM #8) - SEE SHEET 7
- 6.INSTALL GATE STOP (BOLT-ITEM #21,NUT-ITEM #22,WASHER-ITEM #23) ON THE END OF THE TRACK - SEE SHEET 8 ( **ONE GATE STOP REQUIRED ONLY - PER LEAF** )
- 7.INSTALL BTM END COVER (ITEM #9) ON THE END OF THE TRACK - SEE SHEET 9

## NOTE:

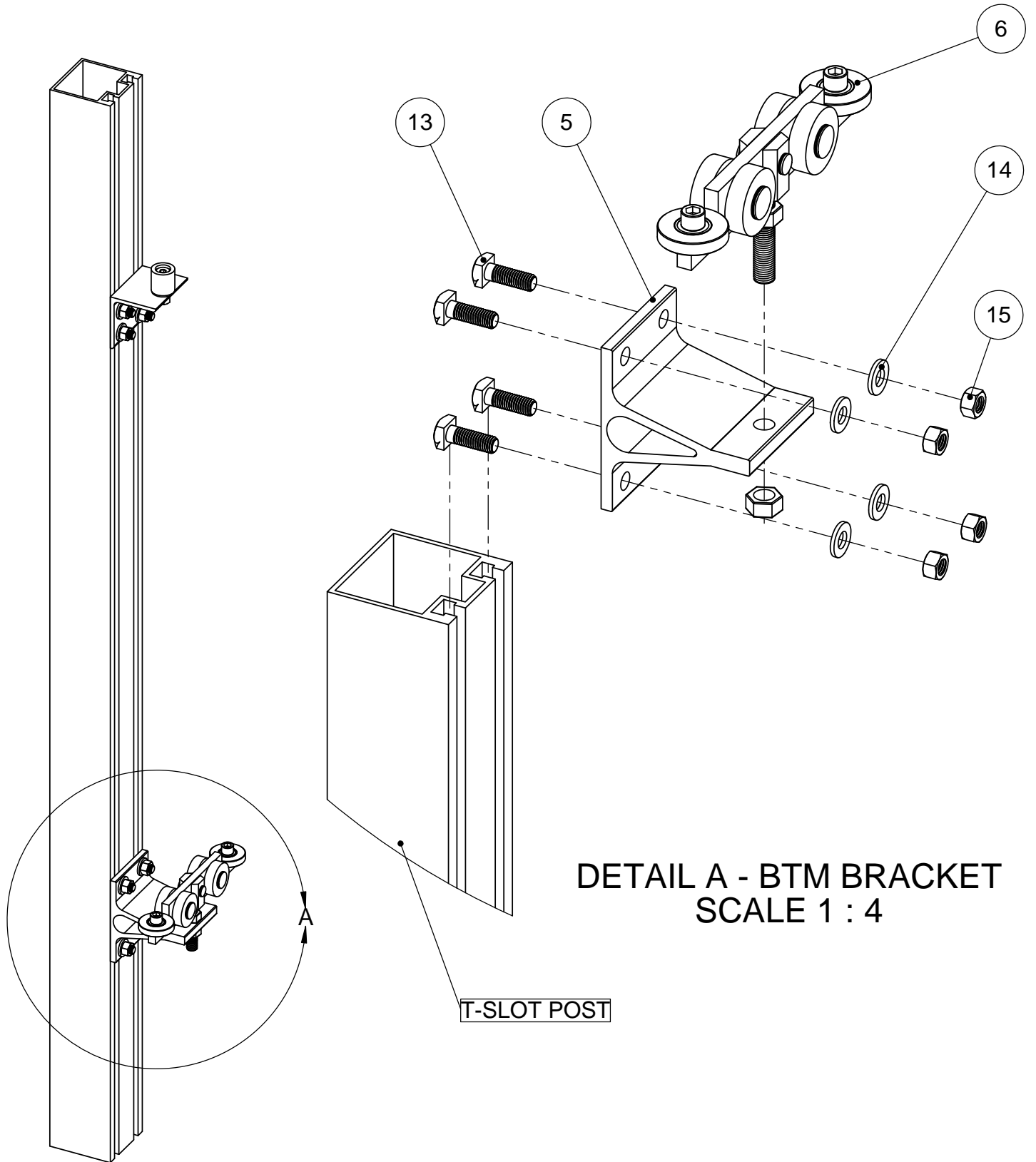
- **INSTALL BTM BRACKETS FIRST**
- **APPLY GREASE (ITEM #12) ON THE SHOULDER BOLTS (ITEM #16), INSIDE GUIDE WHEELS (ITEM # 10) AND TOP OF NYLON WASHER (ITEM #17). MAINTAIN GREASE EVERY 4 TO 6 MONTHS.**



**POST LOCATION DETAIL**  
**SCALE 1 : 12**

THE INFORMATION CONTAINED IN THIS DRAWING IS PROTECTED BY COPYRIGHT AND PATENT LAWS OF THE UNITED STATES AND OTHER COUNTRIES. ANY REPRODUCTION IN PART OR AS A WHOLE WITHOUT WRITTEN PERMISSION IS PROHIBITED.

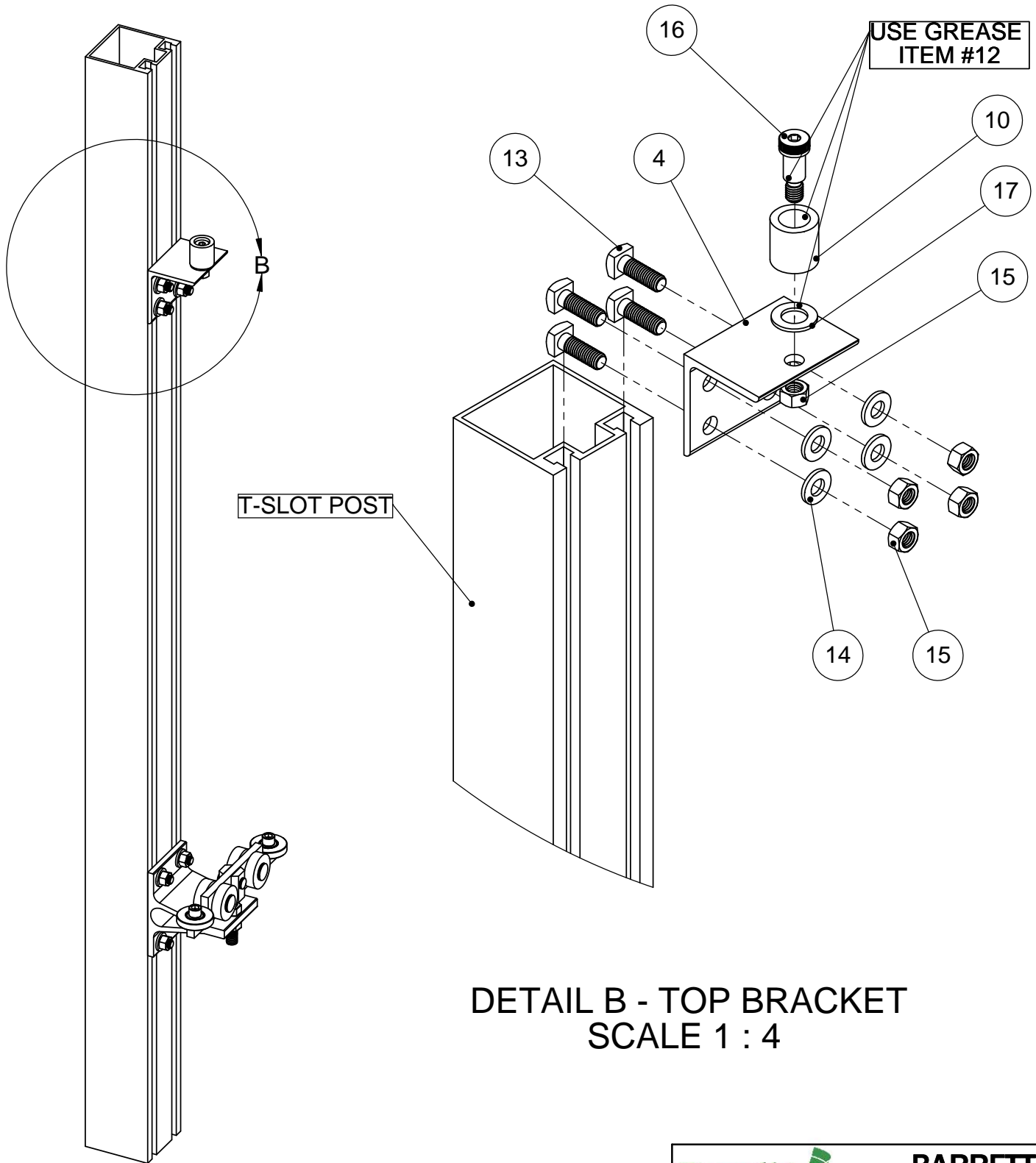
<b>Barrette</b>		<b>BARRETTE</b>	
		<b>Outdoor Living</b>	
DRAWN: J.S.	DATE: 7-12-17	APPROVED:	
DESCRIPTION: T-SLOT DBL CANTILEVER BTM TRACK INSTRUCTIONS			
SHEET 3 OF 9	REVISION:	PART NUMBER: <b>34110348</b>	
SCALE 1:12			
WEIGHT:			



DETAIL A - BTM BRACKET  
SCALE 1 : 4

THE INFORMATION CONTAINED IN THIS DRAWING IS PROTECTED BY COPYRIGHT AND PATENT LAWS OF THE UNITED STATES AND OTHER COUNTRIES. ANY REPRODUCTION IN PART OR AS A WHOLE WITHOUT WRITTEN PERMISSION IS PROHIBITED.

<b>Barrette</b>		<b>BARRETTE Outdoor Living</b>	
DRAWN: J.S.	DATE: 7-12-17	APPROVED:	
DESCRIPTION: T-SLOT DBL CANTILEVER BTM TRACK INSTRUCTIONS			
SHEET 4 OF 9	REVISION	PART NUMBER	
SCALE 1:4	0	<b>34110348</b>	
WEIGHT:			



DETAIL B - TOP BRACKET  
SCALE 1 : 4

THE INFORMATION CONTAINED IN THIS DRAWING IS PROTECTED BY COPYRIGHT AND PATENT LAWS OF THE UNITED STATES AND OTHER COUNTRIES. ANY REPRODUCTION IN PART OR AS A WHOLE WITHOUT WRITTEN PERMISSION IS PROHIBITED.

<b>Barrette</b>		<b>BARRETTE Outdoor Living</b>	
DRAWN: J.S.	DATE: 7-12-17	APPROVED:	
DESCRIPTION: T-SLOT DBL CANTILEVER BTM TRACK INSTRUCTIONS			
SHEET 5 OF 9	REVISION	PART NUMBER	
SCALE 1:4	0	<b>34110348</b>	
WEIGHT:			

UPPER ROLER  
GUIDE TRACK

10

T-SLOT POST

4

GATE UPRIGHT

0.25" MIN.

BTM TRACK



6

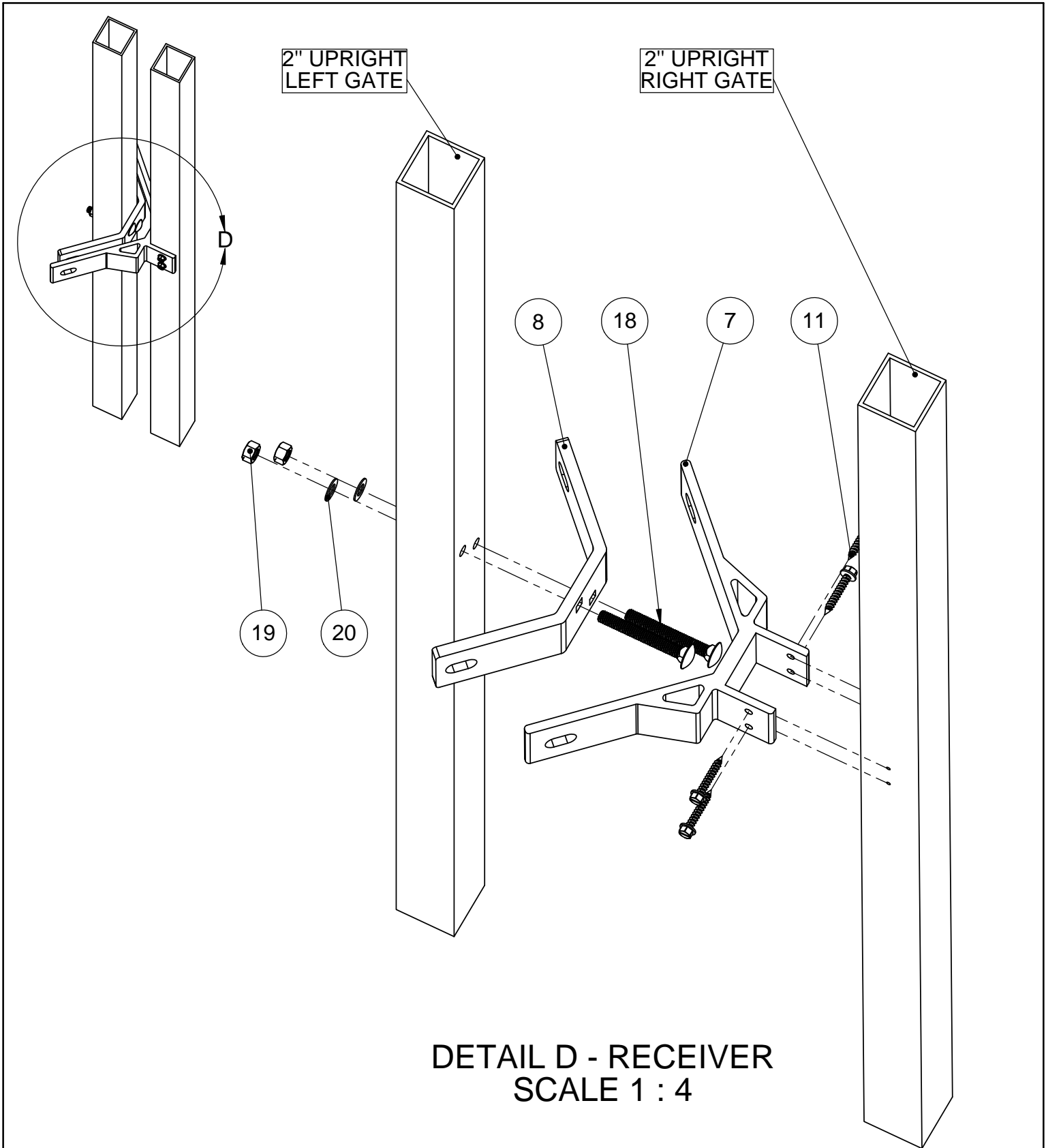
5

GUIDE TRACK-DETAIL  
SCALE 1 : 4

### DETAIL C - GATE POSITIONING SCALE 1 : 8

THE INFORMATION CONTAINED IN THIS DRAWING IS PROTECTED BY COPYRIGHT AND PATENT LAWS OF THE UNITED STATES AND OTHER COUNTRIES. ANY REPRODUCTION IN PART OR AS A WHOLE WITHOUT WRITTEN PERMISSION IS PROHIBITED.

		<b>BARRETTE Outdoor Living</b>	
DRAWN: J.S.	DATE: 7-12-17	APPROVED:	
DESCRIPTION: T-SLOT DBL CANTILEVER BTM TRACK INSTRUCTIONS			
SHEET 6 OF 9	REVISION	PART NUMBER	
SCALE 1:8		<b>34110348</b>	
WEIGHT:			



2" UPRIGHT  
LEFT GATE

2" UPRIGHT  
RIGHT GATE

19

20

8



18

7

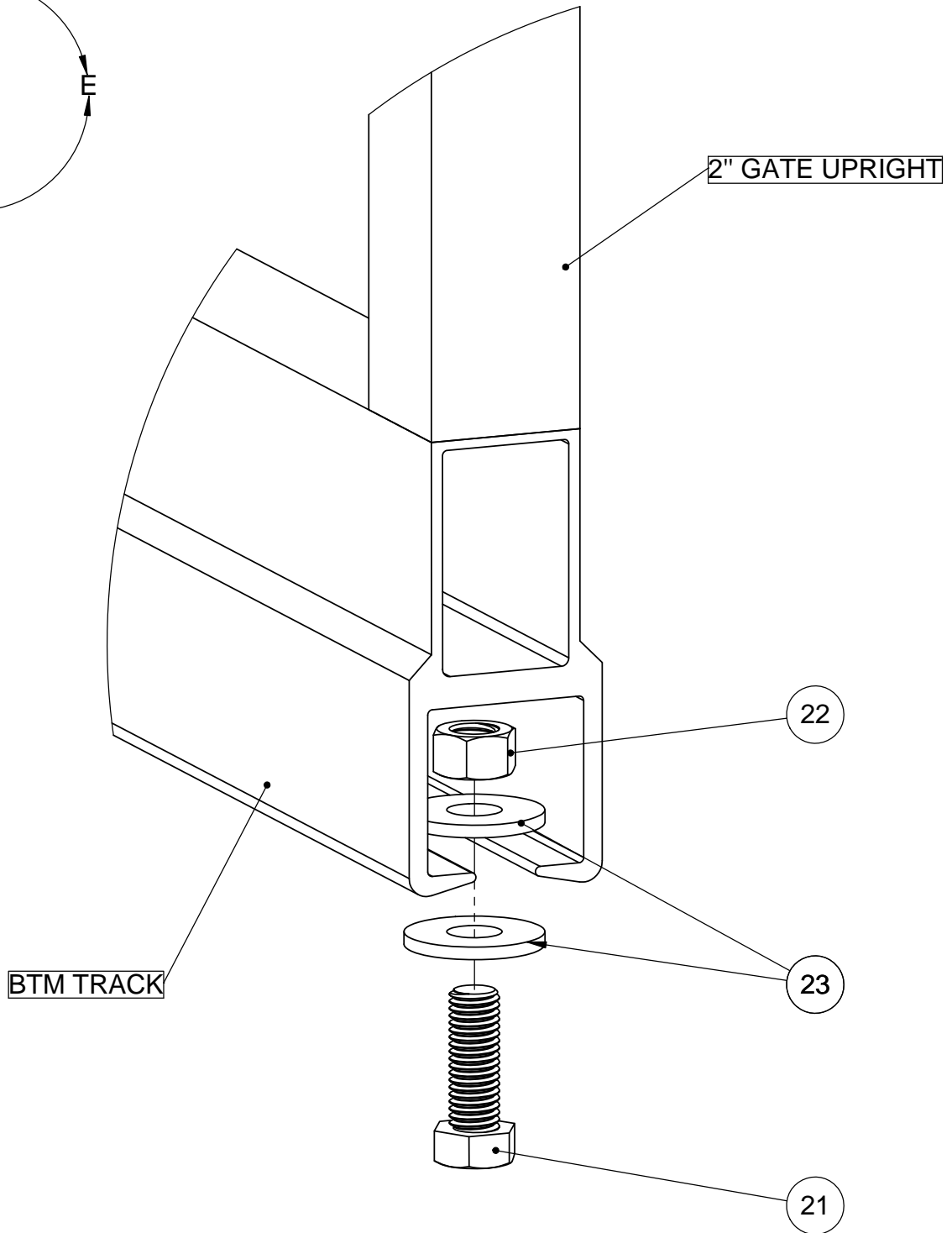
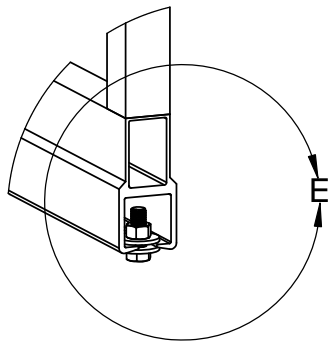
11

DETAIL D - RECEIVER  
SCALE 1 : 4

THE INFORMATION CONTAINED IN THIS DRAWING IS PROTECTED BY COPYRIGHT AND PATENT LAWS OF THE UNITED STATES AND OTHER COUNTRIES. ANY REPRODUCTION IN PART OR AS A WHOLE WITHOUT WRITTEN PERMISSION IS PROHIBITED.

		<b>BARRETTE Outdoor Living</b>	
<small>DRAWN:</small> J.S.	<small>DATE:</small> 7-12-17	<small>APPROVED:</small>	
<small>DESCRIPTION:</small> <b>T-SLOT DBL CANTILEVER BTM TRACK INSTRUCTIONS</b>			
<small>SHEET 7 OF 9</small>	<small>REVISION</small>	<small>PART NUMBER</small>	
<small>SCALE 1:4</small>		<b>34110348</b>	
<small>WEIGHT:</small>			

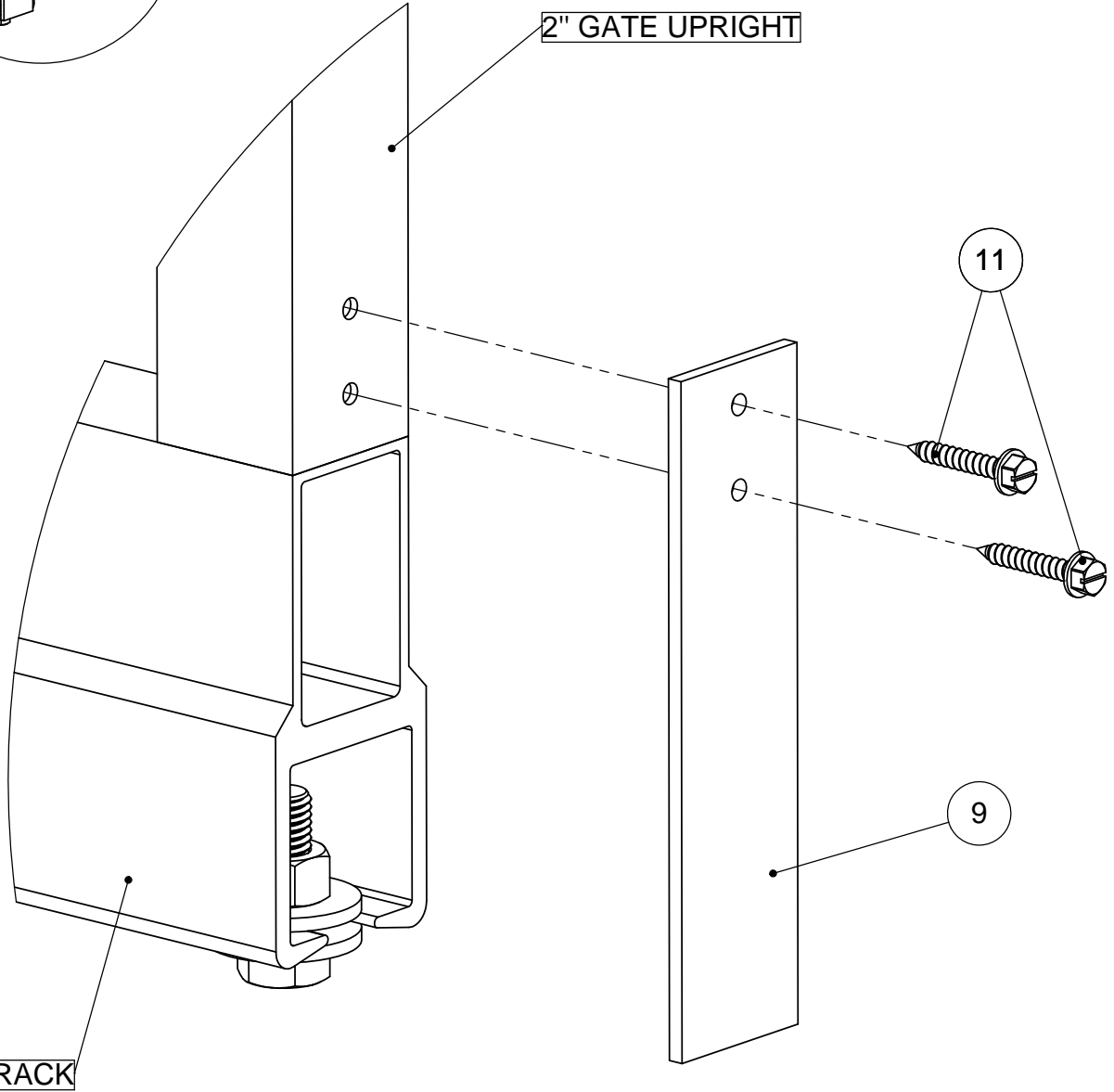
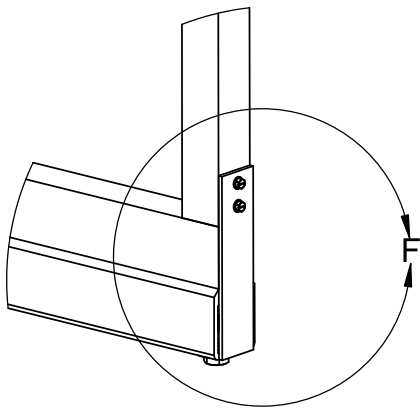




DETAIL E - GATE STOP  
SCALE 1 : 2

		<b>BARRETTE Outdoor Living</b>	
DRAWN:	J.S.	DATE:	7-12-17
APPROVED:			
DESCRIPTION: T-SLOT DBL CANTILEVER BTM TRACK INSTRUCTIONS			
SHEET 8 OF 9		REVISION	PART NUMBER
SCALE 1:2			<b>34110348</b>
WEIGHT:			

THE INFORMATION CONTAINED IN THIS DRAWING IS PROTECTED BY COPYRIGHT AND PATENT LAWS OF THE UNITED STATES AND OTHER COUNTRIES. ANY REPRODUCTION IN PART OR AS A WHOLE WITHOUT WRITTEN PERMISSION IS PROHIBITED.



2" GATE UPRIGHT

11

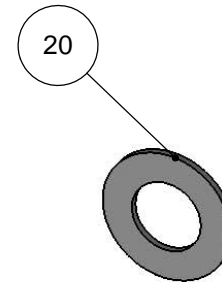
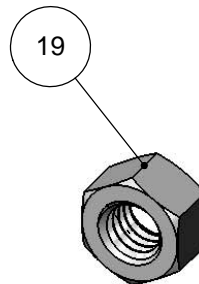
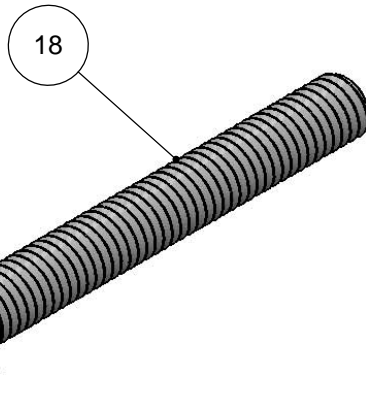
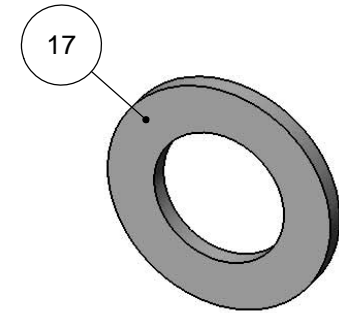
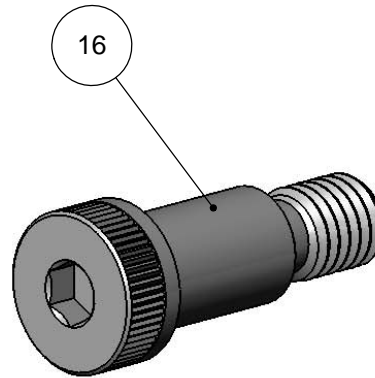
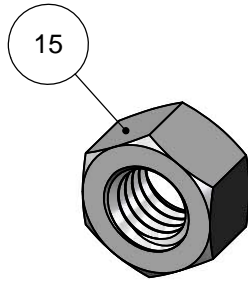
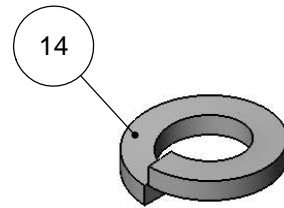
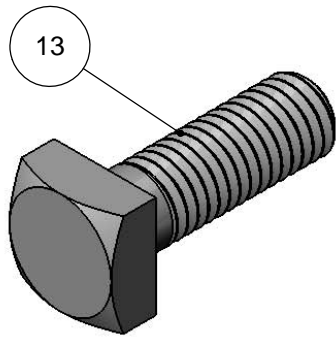
9

BTM TRACK

DETAIL F - END COVER  
SCALE 1 : 2

		<b>BARRETTE Outdoor Living</b>	
DRAWN:	J.S.	DATE:	7-12-17
		APPROVED:	
DESCRIPTION: <b>T-SLOT DBL CANTILEVER BTM TRACK INSTRUCTIONS</b>			
SHEET 9 OF 9		REVISION	PART NUMBER
SCALE 1:2			<b>34110348</b>
WEIGHT:			

THE INFORMATION CONTAINED IN THIS DRAWING IS PROTECTED BY COPYRIGHT AND PATENT LAWS OF THE UNITED STATES AND OTHER COUNTRIES. ANY REPRODUCTION IN PART OR AS A WHOLE WITHOUT WRITTEN PERMISSION IS PROHIBITED.

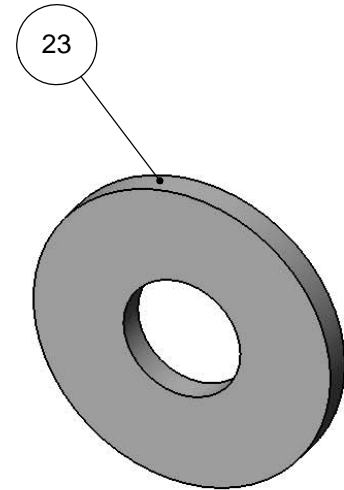
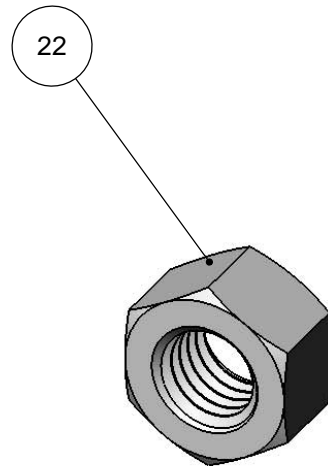
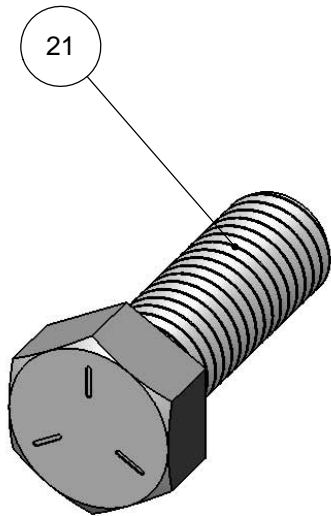


ITEM #	PART #	DESCRIPTION	QTY
13	34110253	1/2"-13x1 1/2" SQ HD BOLT ZINC GRADE 5	32
14	34110251	1/2" SPLIT LOCK WASHER ZINC	32
15	34110252	1/2"-13 HEX NUT ZINC	36
16	34110257	5/8" SHOULDER BOLT 1" LONG STEEL	4
17	34110215	NYLON WASHER .08x1.25x.75 ID	4
18	34110256	3/8"-16x3" CARRIAGE BOLT ZINC GRADE A307	2
19	34110107	3/8"-16 HEX NUT ZINC	2
20	34110281	3/8" WASHER ZINC	2

THE INFORMATION CONTAINED IN THIS DRAWING IS PROTECTED BY COPYRIGHT AND PATENT LAWS OF THE UNITED STATES AND OTHER COUNTRIES. ANY REPRODUCTION IN PART OR AS A WHOLE WITHOUT WRITTEN PERMISSION IS PROHIBITED.

		<b>BARRETTE</b> Outdoor Living	
<small>DRAWN:</small> J.S.	<small>DATE:</small> 7-13-17	<small>APPROVED:</small>	
<small>DESCRIPTION:</small> T-SLOT DBL CANTILEVER BTM TRACK HARDWARE KIT			
<small>SHEET 1 OF 1</small>		<small>REVISION</small> 0	<small>PART NUMBER</small> 61111222
<small>SCALE 1:1</small>			
<small>WEIGHT:</small>			

ITEM #	PART #	DESCRIPTION	QTY
21	34110578	5/8"-11X1-3/4 BOLT HEX HD ZINC GRADE 5	1
22	34110579	5/8"-11 HEX NUT ZINC	1
23	34110580	5/8" FLAT WASHER ZINC	2



THE INFORMATION CONTAINED IN THIS DRAWING IS PROTECTED BY COPYRIGHT AND PATENT LAWS OF THE UNITED STATES AND OTHER COUNTRIES. ANY REPRODUCTION IN PART OR AS A WHOLE WITHOUT WRITTEN PERMISSION IS PROHIBITED.

		<b>BARRETTE</b> Outdoor Living	
DRAWN: J.S.	DATE: 7-13-17	APPROVED:	
DESCRIPTION: <b>HARDWARE KIT CANTILEVER GATE STOP</b>			
SHEET 1 OF 1	REVISION	PART NUMBER	
SCALE 1:1		<b>61123135</b>	
WEIGHT:			