

Aluminum Fence

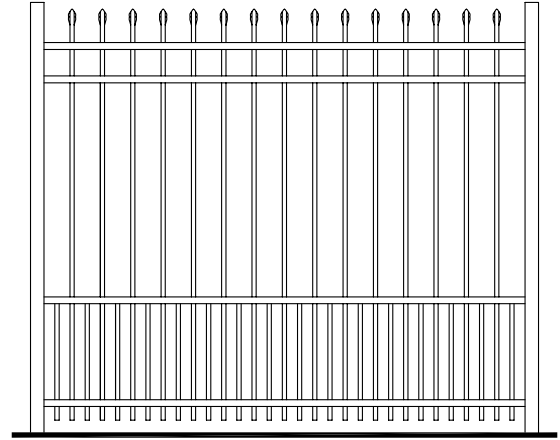
Installation Instructions





Aluminum Fencing

Alumi-Guard® aluminum fencing styles are durable, scratch resistant powder coated aluminum fence and gates which are naturally corrosion resistant and provide long product life-cycles with low maintenance. Our aluminum fencing meets or exceeds ASTM F2957-13 and our welded U-frame gates are the strongest in the industry.



Warning:

- Improper installation of this product can result in personal injury. Always wear safety goggles when cutting, drilling and assembling the product.
- Incorrect installation may cause harm to the product or individual.
- Not pool code approved.

Notice:

- DO NOT attempt to assemble the kit if parts are missing or damaged.
- DO NOT return the product to the store. For assistance or replacement parts call: 1-877-258-6448

1. Before You Begin

- Make sure the fence line has been properly located by the responsible party. Never assume where the fence is to be installed.
- Before digging, make sure the fence line has been checked for underground utilities, pool equipment line, and sprinkler systems.
- Check contents of order: Make sure all the parts match the order in type, size and quantity.
- Identify and separate the four styles of posts: Line posts have holes routed on opposite sides, Corner posts have holes routed on adjacent sides, and End posts have holes routed on one side. Gate posts are routed like end posts, but the wall thickness is almost double to support the weight and use of the gate - Figure 1

2. Preparation

1. Fence should be installed 2 - 3 inches off of the ground to allow gates to function properly, and to allow maintenance of the grass - Figure 2
2. Gates are built to fit actual openings; if the packing list shows a 4' gate, the gate and hardware fits in the 4" opening - Figure 3
3. When setting gate posts, it is very important to get the opening exact and gate posts must be topped

3.

out bubble level in order for channels to line up with channels on the panels. After opening has been set properly, it is good to lay a post on top of both gate posts and set a level on top to ensure that posts are evenly topped out.

4. When digging holes to install Alumi-Guard Fence, holes should be 6" to 8" in diameter and at least 24" deep. In areas where freezing is a factor, fence posts need to be below the frost line. It is also a good practice to "bell out" the bottom of the hole to prevent posts from heaving.
5. Full panels should always be used; however, if a shorter panel is required, a panel may be custom cut to any size in order to accommodate the line. Using a Saw-Z-All or notching tool to make the cuts, notch the end of the channel to fit inside the post (using the factory notch as your guide).

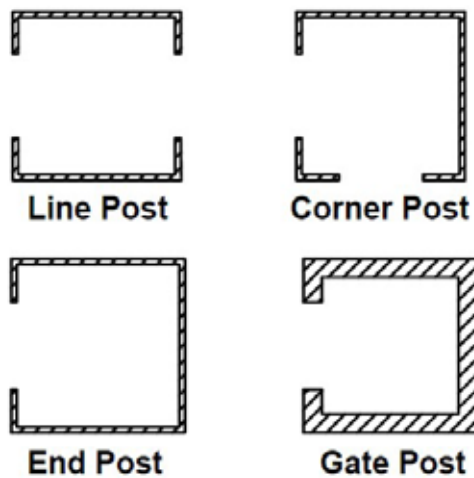


Fig. 1

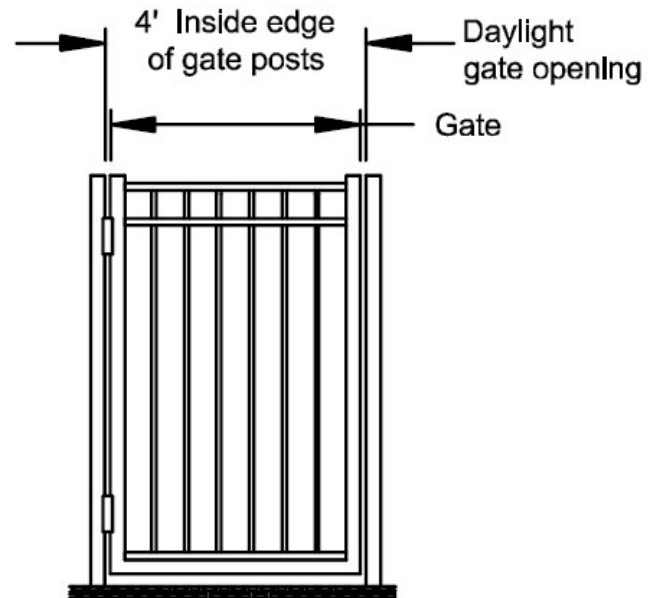


Fig. 3

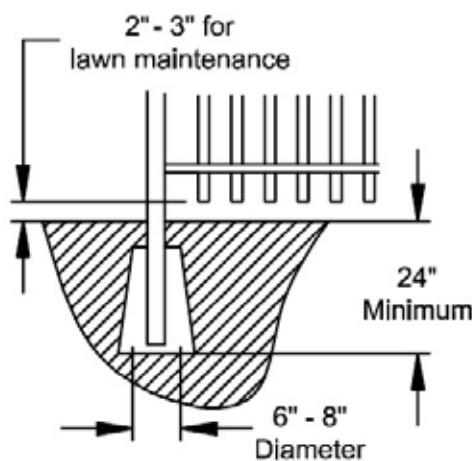


Fig. 2

6. Alumi-Guard offers three grades of rackability for its panels - Figure 4
7. When inserting panels into a corner post, the channels on one panel need to be cut at an angle so that both panels fit all the way into the post - Figure 5

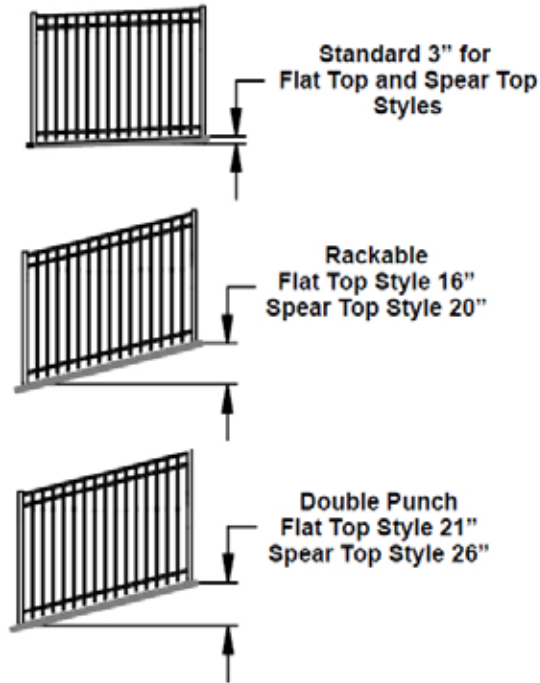


Fig. 4

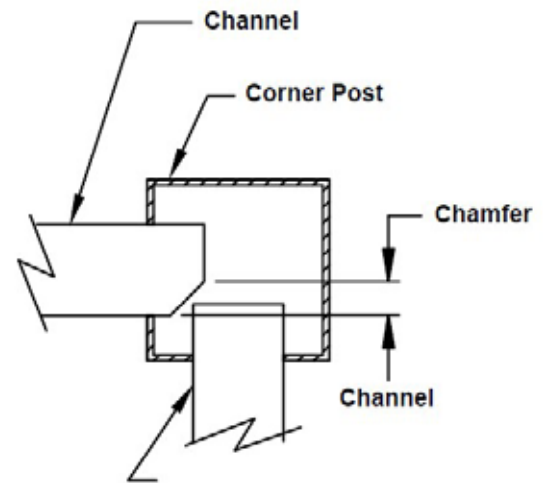


Fig. 5 Top View

Layout

1. Layout and install one line at a time. Start at a front corner or beside the house. Drive a stake at each end of the line and run a string line from stake to stake. This will ensure holes are marked in a straight line.
2. Mark holes every 73-3/8" with 2" posts on center – if there is a gate in the line add 2" to gate opening when marking – then resume the 73-3/8" with 2" posts panel spacing. **Example:** If you have a 48" gate opening, mark the holes for your gate posts 50" on center with 2" posts - Figure 6
3. Any sections that need to be custom cut should be at the back of the fence line or next to the house for the best look.

Installation

2.

1. Now that the line has been laid, dig all of the holes that have been marked and place the posts in the holes. Set the first post in the center of the hole and pour the concrete. Level the post in each direction and read-just the string line so that all posts will be in the center of the holes throughout the entire line. Leave posts a little high for topping out purposes. It is easier to knock posts down than it is to float posts up.
2. Now that the first post is set, insert panel into the post - bottom channel first, then the top two channels. Make sure the screws are facing in, and that the notches are all the way against the post. Screw the panel into the post - Figure 7 Go to the next hole and put panel into post, insert screws, level post up the string, and set this post. Repeat this procedure until the entire line is installed.
3. Once the line is set, re-level and top out the two end posts. Take the string down and move it to the top

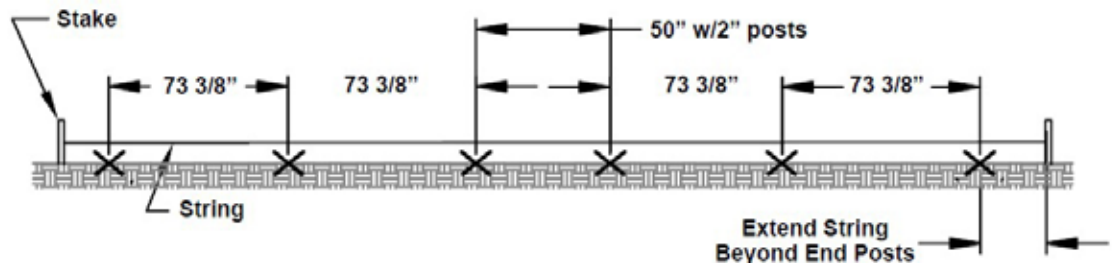


Fig. 6

of these two posts. Raise and lower posts as necessary to give the fence line the best looking top possible. After line is topped out, put string to the outside of these posts near the top. Then walk the line and push all the posts over to the point where they are barely touching the string - Figure 8

4. Take the string down, step back and visually inspect the completed line for both in and out, and the topped out look.

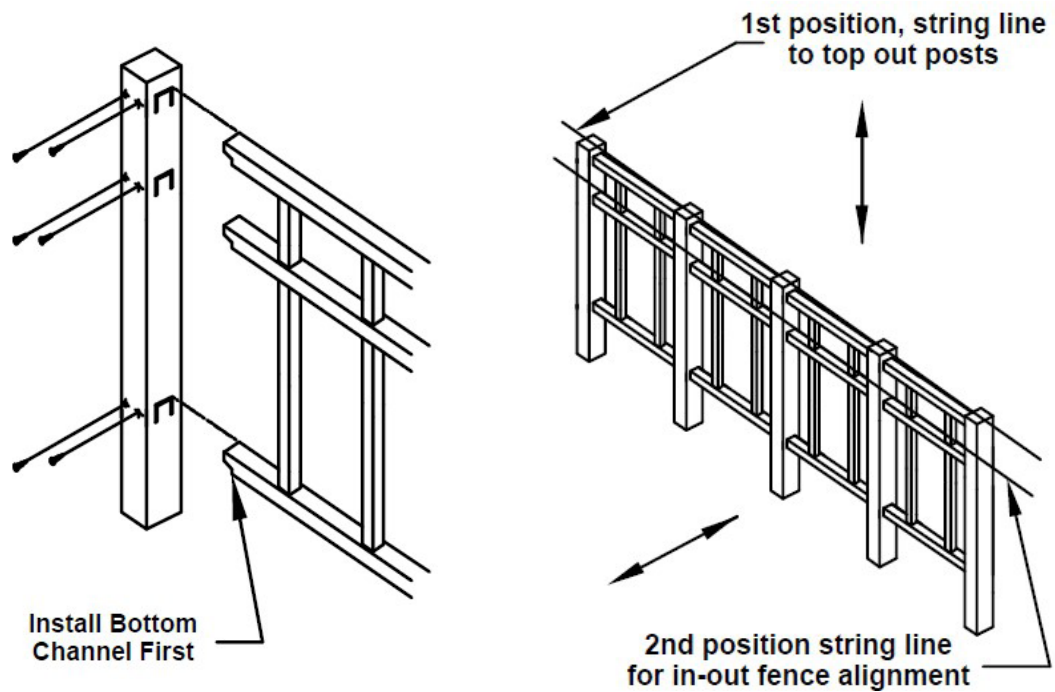


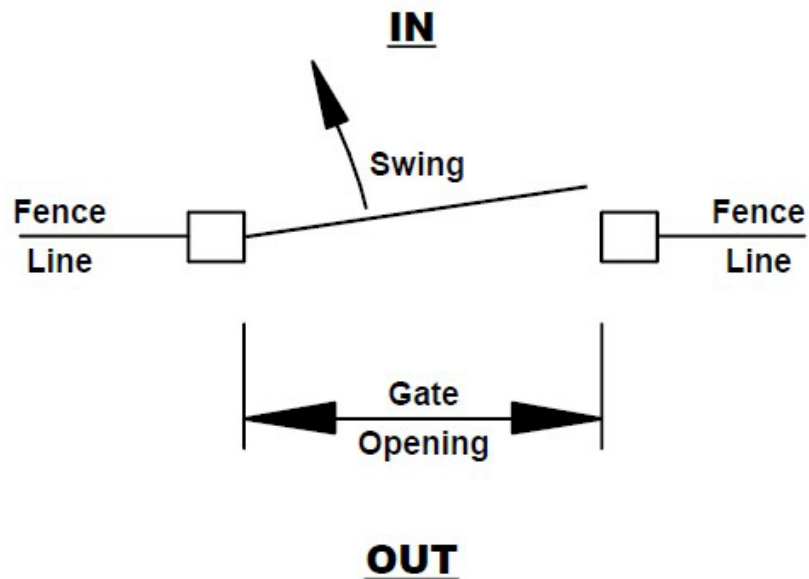
Fig. 7

Fig. 8

5. Layout and install the next line just like the first line. Continue this process until the entire fence is installed.
6. After the fence is installed, topped out and leveled up, it's time to put on the caps. Place caps on posts and gently tap them on with a rubber mallet. Try not to knock posts down or out of level. While installing caps, look for scratches or nicks that need to be touched up with paint. Use only Alumi-Guard paint so that it matches the powder coating on the product.
7. Once the touch-up work is complete, the gates should be installed.

NOTE: Gates should be installed last to allow posts as much time as possible to set up.

8. Choose which side the gate is to be hinged, and which way the gate will swing (in or out). - See Example
9. Install hinges onto gate and set gate in the opening. Raise gate up until the channels line up, and attach hinges to post. Once hinges are attached, install latch on opposite side of hinges. Finally, adjust the tension in the hinges - just enough to self-close the gate, but not so much that it slams shut - Figure 9



Example

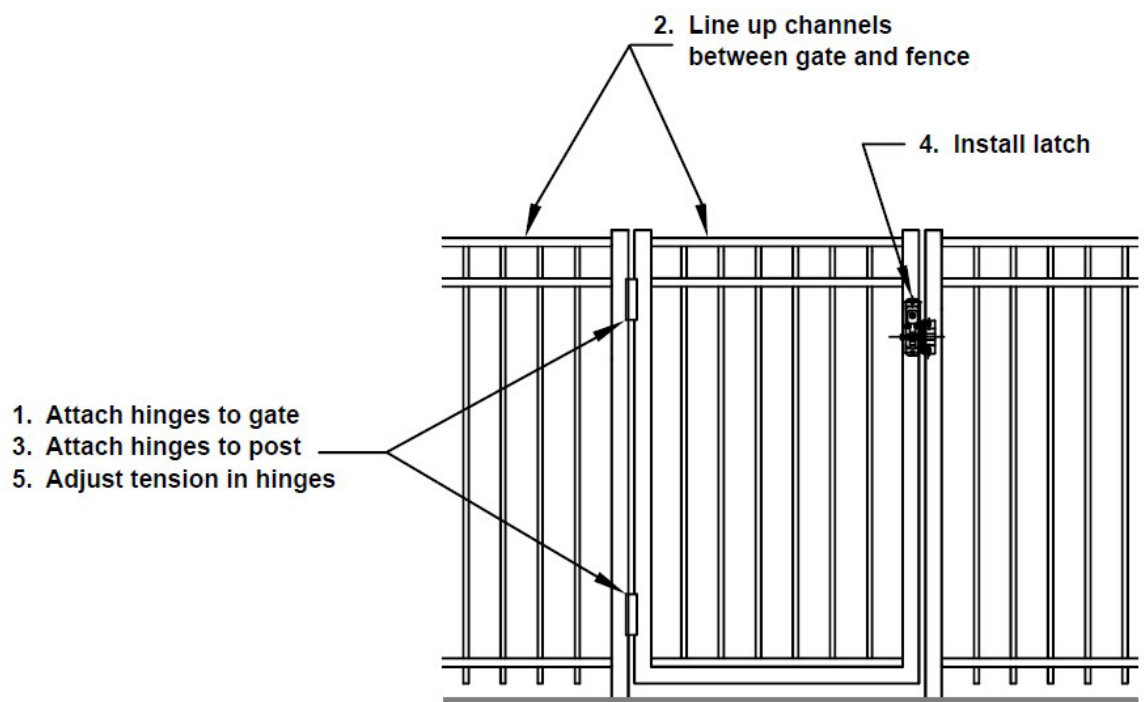


Figure 9

Transferable Limited Lifetime Warranty

You're not just purchasing a fence, you're investing in your property.

Protecting what you love

At Alumi-Guard® we understand that fencing needs to be as durable as it is beautiful. That's why we use only the finest materials and why we back all our products with a transferable limited lifetime warranty.

You've worked hard to make your fence - functional, comfortable, a natural expression of your personality. With Alumi-Guard®, that feeling doesn't stop at your door. From the strength and beauty of their craftsmanship, to the guarantee of their future, our outdoor living products make your project complete, safe and secure.

Who is covered:

- The limited lifetime warranty covers single-family residential properties only. This limited warranty extends to the original purchaser and one (1) individual transferee as specified herein.
- A thirty (30) year limited warranty covers any other type of building or property including those owned by corporations, governmental agencies, partnerships, trusts, religious organizations, schools, condominiums, homeowner associations, cooperative housing arrangements and apartment buildings. The warranty period will be thirty (30) years following the original date of Product purchase.

Aluminum - What is covered: Barrette Outdoor Living warrants that its aluminum fencing products ("Product") will be free from defects in material and workmanship for the warranty period. This limited warranty is valid beginning on the date of Product purchase.

Barrette Outdoor Living warrants the Product against peeling, flaking, rotting, chipping, cracking, blistering, splintering, corrosion and rusting; or abnormal discoloration/fading* under normal atmosphere and weather conditions.

*After prolonged exposure to outdoor environments, all products will experience some gradual fading over time and is considered normal (up to a standard variation determined by Delta E color measurement, not to exceed Delta 5). Degrees of fading vary depending on geographical location, air pollution, exposure and other factors.

What this warranty does not cover: This limited warranty does not cover damage resulting from: misuse, abuse, improper storage or handling, improper installation, other aluminum products and accessories that are not manufactured by Barrette Outdoor Living, or manufactured for specific use in aluminum fence applications; damage caused by events beyond human control including but not limited to damage caused by animals or natural events; impact of foreign objects, fire, earthquake, flood, lightning, hail, hurricane, tornado or other casualty or act of God; movements, distortion, collapse or settling of ground or structure on which the fence is installed. This limited warranty does not cover costs of removal or disposal of product, or re-installation of replacement product.

What Barrette Outdoor Living does to remedy the problem: Should your Barrette Outdoor Living product prove defective under warranty, visit the website or call the phone number listed below. Barrette Outdoor Living requires written notice or phone call within thirty (30) days of discovering the defect and you must show original proof of purchase receipt. You will be required to provide to Barrette Outdoor Living pictures and/or samples of the defective Product. If it is determined by Barrette Outdoor Living, in its sole discretion, the Product has a manufacturer defect in material or workmanship, Barrette Outdoor Living will replace with new or equivalent products; labor is not included in warranty. If the Product is discontinued, Barrette Outdoor Living will repair or replace the Product with a product in comparable quality or price range.

Barrette Outdoor Living reserves the right to discontinue or modify any of its products, including the color of its products without notice to the purchaser. Barrette Outdoor Living does not warrant that any replacement material will match or be identical to the

original Product as replacement products may vary in color or gloss in comparison to the original Product as a result of normal weathering.

Transferee Coverage: Limited lifetime warranty coverage will be extended to one (1) transferee with the following limitations: the one (1) transfer shall only be from residential homeowner (original Product purchaser) to a second homeowner. After a transfer, the warranty is valid thirty (30) years from the date of the original purchase.

The thirty (30) year limited warranty for commercial installations cannot be transferred.

Registration: To activate this warranty, fill out the product registration form on the website listed below, or mail a completed registration card to Barrette Outdoor Living. Registration of Product must be within thirty (30) days from date of Product purchase for warranty to be valid.

Except as expressly set forth in this warranty, Barrette Outdoor Living HEREBY EXPRESSLY DISCLAIMS ANY REPRESENTATION, WARRANTY, PROMISE, GUARANTEE OR OTHER ASSURANCE OF ANY KIND, EXPRESS OR IMPLIED, ORAL OR WRITTEN, STATUTORY OR OTHERWISE, RELATING TO THE PRODUCT. STATE LAW WILL DETERMINE THE PERIOD OF TIME FOLLOWING THE SALE THAT YOU MAY SEEK A REMEDY UNDER THE IMPLIED WARRANTY OF MERCHANTABILITY OR FITNESS FOR A PARTICULAR PURPOSE.

NO DISTRIBUTOR, DEALER OR OTHER PERSON IS AUTHORIZED BY BARRETTE OUTDOOR LIVING TO CHANGE THIS WARRANTY OR TO MAKE ANY ADDITIONAL REPRESENTATION, WARRANTY, PROMISE, GUARANTEE OR OTHER ASSURANCE ON BEHALF OF BARRETTE OUTDOOR LIVING RELATING TO THE PRODUCT. THIS WARRANTY GIVES YOU SPECIFIC LEGAL RIGHTS, AND YOU MAY ALSO HAVE OTHER RIGHTS WHICH VARY STATE TO STATE.

LIMITATION OF LIABILITY: THE REMEDIES DESCRIBED ABOVE ARE YOUR SOLE AND EXCLUSIVE REMEDIES AND BARRETTE OUTDOOR LIVING'S ENTIRE LIABILITY FOR ANY BREACH OF THIS LIMITED WARRANTY. BARRETTE OUTDOOR LIVING'S LIABILITY SHALL UNDER NO CIRCUMSTANCES EXCEED THE ACTUAL AMOUNT PAID BY YOU FOR THE DEFECTIVE PRODUCT, NOR SHALL BARRETTE OUTDOOR LIVING BE LIABLE FOR ANY CONSEQUENTIAL, INCIDENTAL, SPECIAL OR PUNITIVE DAMAGES OR LOSSES, WHETHER DIRECT OR INDIRECT. SOME STATES DO NOT ALLOW THE EXCLUSION OR LIMITATION OF INCIDENTAL OR CONSEQUENTIAL DAMAGES, SO THE ABOVE LIMITATION OR EXCLUSION MAY NOT APPLY TO YOU. THIS WARRANTY IS VALID ONLY IN THE UNITED STATES AND CANADA.

This warranty is effective for products purchased after January 1, 2019.

This warranty can also be found online at Alumi-Guard.com/warranty.

To register your product, visit Alumi-Guard.com

In case of a warranty claim call 1.877.258.6448



Alumi-Guard®

2401 Corporate Blvd. • Brooksville, FL 34604

545 Tilton Road • Egg Harbor City, NJ 08215

Alumi-Guard.com